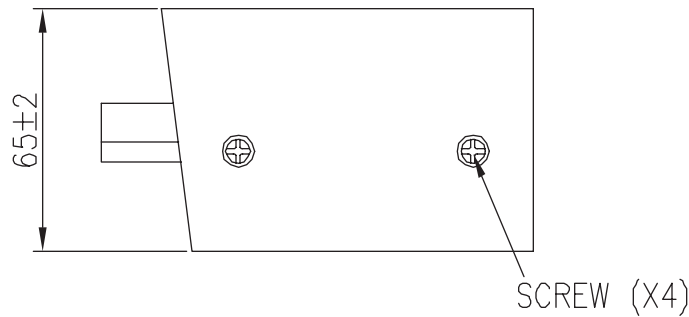


PIN OUT

SWITCH ON "A"

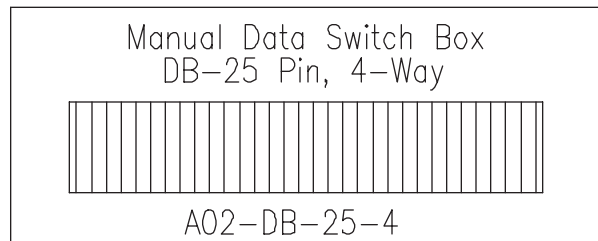
INPUT/OUTPUT	A
1	1
2	2
1	1
1	1
24	24
25	25



SWITCH ON "B"		SWITCH ON "C"		SWITCH ON "D"	
INPUT/OUTPUT	B	INPUT/OUTPUT	C	INPUT/OUTPUT	D
1	1	1	1	1	1
2	2	2	2	2	2
1	1	1	1	1	1
1	1	1	1	1	1
24	24	24	24	24	24
25	25	25	25	25	25

NOTE:

- PACKING: EACH MANUAL DATA SWITCH IN A BOX, BAR CODE LABEL (WHITE BACKGROUND WITH BLACK LETTERS, CODE: 39) TO BE STAMPED ON BOX TO READ:



DRAWING APPROVED _____		DATE: _____	
SAMPLE APPROVED PER DRAWING SPECIFICATIONS _____		DATE: _____	
PROPRIETARY & CONFIDENTIAL. THIS DOCUMENT MAY NOT BE COPIED, OR DISCLOSED IN WHOLE OR IN PART WITHOUT THE WRITTEN CONSENT OF TNT.			
	mm	TITLE MANUAL DATA SWITCH	
	NONE	CUS. NAME	
	1/1	CUS. P/N A02-DB-25-4	
DIMENSIONAL TOLERANCES UNLESS OTHERWISE NOTED		PART NO. P9910013-E	
<input type="checkbox"/> 0	.X ±	.XX ±	 ENG. _____ DATE _____ CHECKED _____ DATE _____ APPROVED _____ DATE _____
<input type="checkbox"/> S	.XXX ±	ANGLES ±	
REV. A	CUS. REV.		