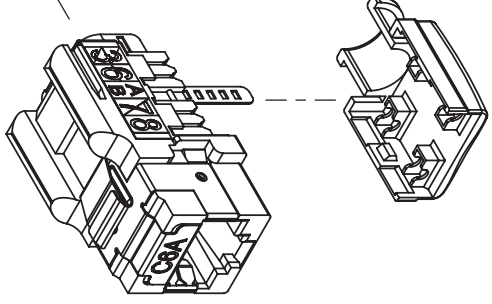
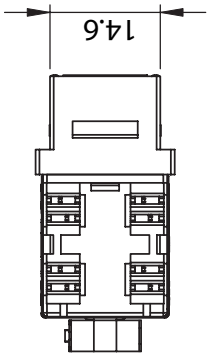
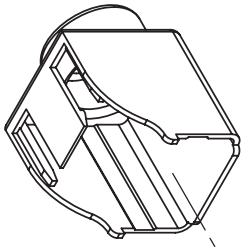


Cat 6A
56Y4
E145249



MATERIAL

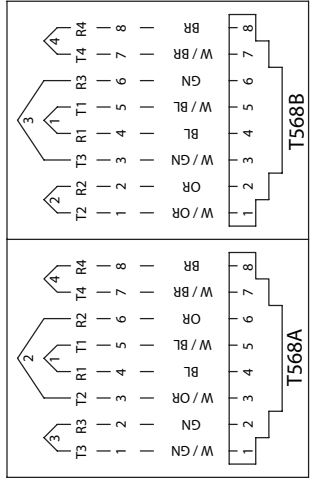
BRACKET : SUS304
KEYSTONE JACK HOUSING : Zinc alloys Zamac 3
SPRING WIRE : Phosphor Bronze 5100W temper wire, $\phi=0.45\text{mm}$, 50u" Gold over 100u" Nickel undercoat
IDC PLASTIC : Polycarbonate resin high-impact UL94V-0 thermoplastic
IDC CONTACT : Phosphor Bronze C5191R-H, $t=0.4\text{mm}$, 200u" Tin over 50u" Nickel undercoat

PHYSICAL CHARACTERISTICS

INSERTION LIFE : 750 MATING CYCLES WITH FCC COMPLIANT RJ-45 PLUG
CONTACT FORCE : 100 GRAMS WITH FCC COMPLIANT RJ-45 PLUG
PLUG RETENTION FORCE : 1.1 LBF MIN.
DURABILITY : 200 TERMINATION CYCLES
CONTACT COMPATIBILITY : ACCOMMODATES 22 TO 26 AWG SOLID / 24 AWG STRANDED
OPERATING TEMPERATURE RANGE : -10 °C TO 60 °C
STORAGE TEMPERATURE RANGE : -40 °C TO 68 °C
HUMIDITY : 10%~90%RH

ELECTRICAL

INSULATION RESISTANCE : 500 M Ω
DIELECTRIC WITHSTANDING VOLTAGE : 1000 V
DC CURRENT RATING : 1.5 Amps
DC RESISTANCE : 0.1 Ω
CONTACT RESISTANCE : 20m Ω



All Copy Rights Reserved



Scale 1:1
3rd Angle Projection
Unit mm
Date 01/06/2009
Title

Tolerance

~20	~50	~150	150~	ANGLE
±0.2	±0.4	±0.5	±1.5	±2°

Drawn by S. NIKO

07E-I88-C6A

Checked by