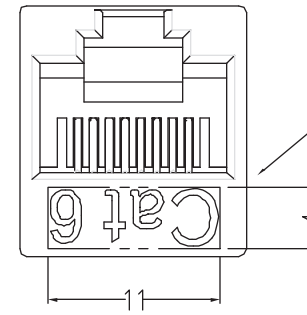
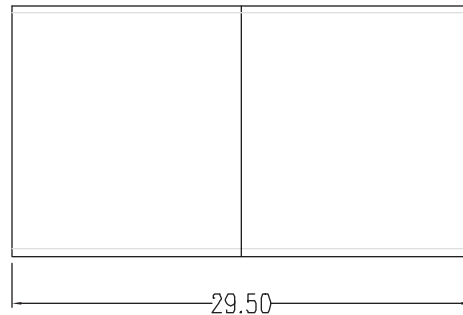
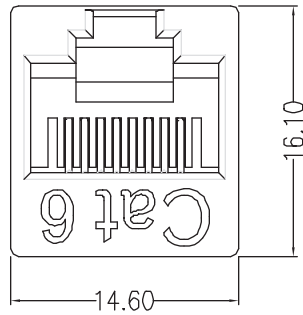
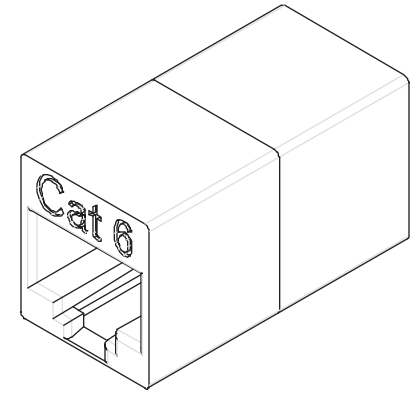
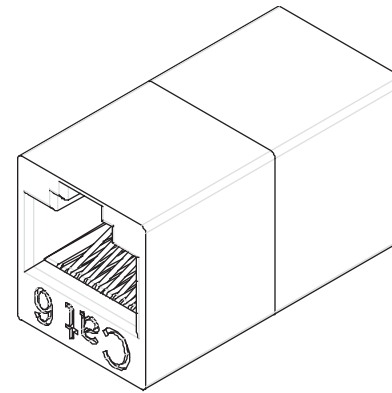


REVISIONS				
ZONE	REV	DESCRIPTION	DATE	APPROVED

Cat6	Cross-Over Wiring
1-3	5-8
2-6	6-2
3-1	7-4
4-7	8-5



MATERIALS:

Plastic:UL 94V0 thermoplastic.

Jack wire:Phosphor Bronze,50 μ" plating over 100 μ" nickel under plate.

COMMON TOLERANCE			SHEET OF		ALL COPY RIGHTS RESERVED	
CLASS	A	B	SIZE	A4	Tri-Net Technology	
DIMENSION			DIA	mm	PART NUMBER	
L<=3	±0.05	±0.1	SCALE	2:1	080-88-CR-C6	
3<L<=6	±0.05	±0.1	DATE	FEB.01.2002	DRAWING NO.	
6<L<=16	±0.1	±0.15	DESIGN		DRAWN	CHECKED
16<L<=30	±0.1	±0.2				
30<L<=120	±0.15	±0.3				
120<L<=315	±0.2	±0.5				