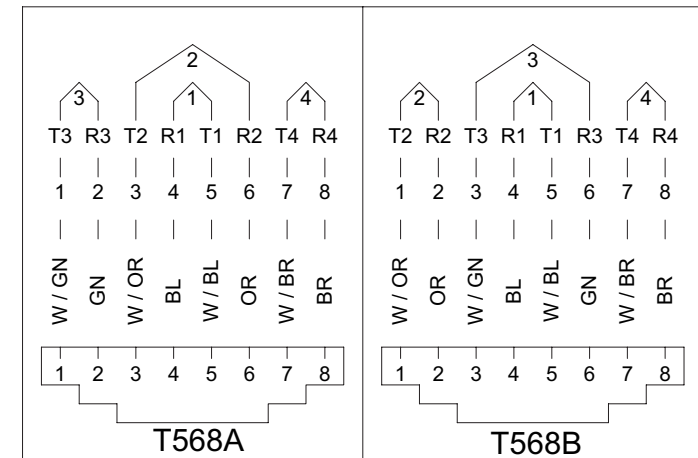


Cat 6  
UL CERTIFIED  
FILE NO.E160607  
ACCORDING TO TIA/EIA-568-B.2-1  
REQUIREMENTS

## Physical Specification

Plastic housing : ABS high-impact UL94V-0 thermoplastic  
 IDC housing : Polycarbonate resin high-impact UL94V-0 thermoplastic  
 IDC contact : Phosphor Bronze C5191R-H, t=0.4mm, 100u" Tin over 50u" Nickel undercoat  
 Insertion Life : 750 mating cycles with FCC compliant RJ-45 plug  
 Contact force : 100 grams MIN. with FCC compliant RJ-45 plug  
 Plug retention force : 11 lbf min.  
 Durability : 200 termination cycles  
 Contact compatibility : Accommodates 22 to 26AWG solid / 24AWG stranded  
 Operating Temperature Range : -10°C to 60°C  
 Storage Temperature Range : -40°C to 68°C  
 Humidity : 10% ~ 90%RH



## Electrical

Insulation resistance: 500 MΩ  
 Dielectric withstanding voltage: 1000 V  
 DC current rating: 1.5 Amps  
 DC resistance: 0.1Ω  
 Contact resistance: 20mΩ

## Enclosure

Nylon Cable tie X 2 PC  
 Screw X 2 PCS (K2)  
 Twin Adhesive X 1 PC (40X20mm)

TOLERANCE				
~20	~50	~150	150~	ANGLE
±0.20	±0.40	±0.50	±1.50	±2°

Scale	1:1	ALL COPY RIGHTS RESERVED	
3rd Angle Projection		Tri-Net Technology, Inc. Total Network Telesis U.S.A.	
Unit	mm	Title 080-110-4-C6	
Material		Drawn by Jessica Lee	Checked by
Color			
Date	2006/8/18		