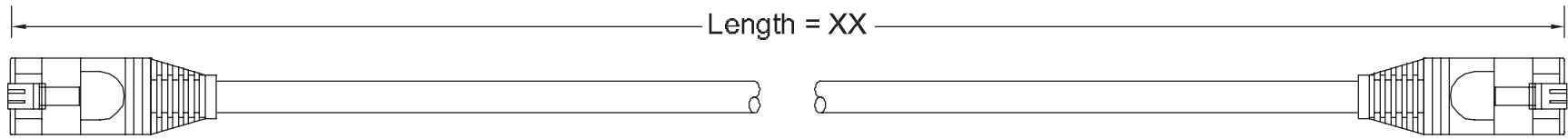


REVISIONS				
ZONE	REV	DESCRIPTION	DATE	APPROVED



## CABLE - SPECIFICATIONS

### MEDIATWIST(R) PATCH - BELDEN 1875GB

- I. DESCRIPTION NON-PLENUM PATCH CABLE:**  
 4 PAIR UTP (UNSHIELDED TWISTED PAIR) PATCH CABLE, STRANDED TINNED COPPER, POLYOLEFIN INSULATED ADJOINED SINGLES, FLEXIBLE PVC JACKET. T568B RJ-45 COLOR ROTATION. U.S. PATENTS 5,6061,51 AND 5,734,126 AND 5,763,823 AND PATENT PENDING.
- II. APPLICATIONS:**  
 SUPPORTS ALL CURRENT APPLICATIONS INTENDED FOR CAT 5E HORIZONTAL CABLE. HIGH FLEXIBILITY, HIGH FLEX LIFE PATCH CORDAGE, RJ-45 COMPATIBLE FOR T568B CONFIGURATION. PATENTED DESIGN MINIMIZES CHANGES IN ELECTRICAL CHARACTERISTICS DUE TO BENDING AND KINKING ASSOCIATED WITH PATCH CABLES. PATCH CABLE IMPEDANCE IS MATCHED WITH MEDIATWIST HORIZONTAL CABLES TO REDUCE SIGNAL REFLECTIONS CAUSED BY IMPEDANCE MISMATCHES AND DECREASE SYSTEM RETURN LOSS. RESISTANT TO ATTENUATION INCREASES DUE TO HIGH HUMIDITY ENVIRONMENTS.

- III. PHYSICAL CHARACTERISTICS:**
- |                       |               |
|-----------------------|---------------|
| TEMPERATURE RANGE:    | -20 TO 75 C   |
| INSULATION MATERIAL:  | POLYOLEFIN    |
| JACKET MATERIAL:      | PVC           |
| MAX. PULLING TENSION: | 40 LBS.       |
| NOM. WEIGHT/1000 FT.: | 29.0 LBS.     |
| MIN. BEND RADIUS:     | .1"           |
| NOM. DIAMETER:        | .365" X .165" |
- APPLICABLE SPECIFICATIONS: UL TYPE CM  
 CEC C (UL) TYPE CMG  
 TIA/EIA DRAFT 12 CAT5E SOLID  
 TIA/EIA CAT 6, DRAFT 7 PATCH  
 ISO/IEC 11801 CATEGORY 5 PATCH  
 UL TYPE CM, UL 1581  
 VERTICAL TRAY  
 C (UL) TYPE CMG, CSA FT4
- FLAME TEST:



## CONNECTOR - SPECIFICATIONS

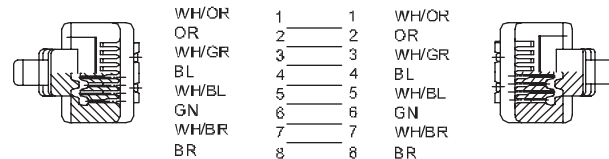
- Performance:** Meets or exceeds Category 5E EIA/TIA 2840, Annex B Specification
- Contact Material:** Phosphor Bronze - 0.012 THK
- Contact Plating:** 50 micro-inch: Selective 24-carat hard gold plate in contact area, over 100 micro-inch minimum nickel plate per selective gold requirements.
- Plug Material:** Polycarbonate
- Plug Tolerances and Dimensions:** Complies with full F.C.C. Requirements Flame Auto
- Extinguish Level:** 94-V0 - File #E188111
- Operational Temperature:** -40°C to +70°C
- Insertion and Extraction Life:** 1000 cycles
- Contact Resistance:** 10 MILLOHMS MAX.
- Current/Voltage:** 30VAC/42VDC at 1.5 AMPS

### Available Colors (YY)

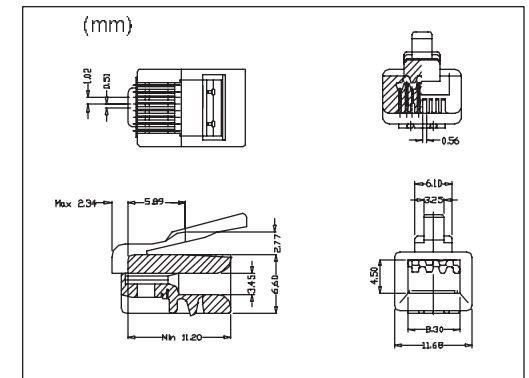
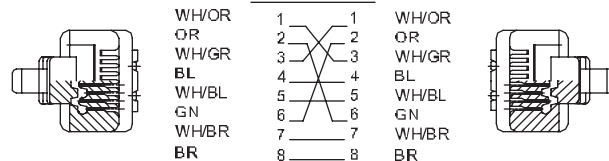
Gray	(GY)
Blue	(BL)
Green	(GN)
Red	(RD)
Yellow	(YL)
White	(WH)
Black	(BK)
Pink	(PK)
Purple	(PP)
Brown	(BR)
Orange	(OR)
Ivory	(IV)



### 568B



### CROSS



SHEET 1 OF 1		ALL COPY RIGHTS RESERVED	
SIZE	LTR	Tri-Net Technology/USA	
DIA	PART NUMBER		
SCALE	05W		
DATE	Jan.05.02	DRAWING NO.	
DESIGN	DRAWN	CHECKED	