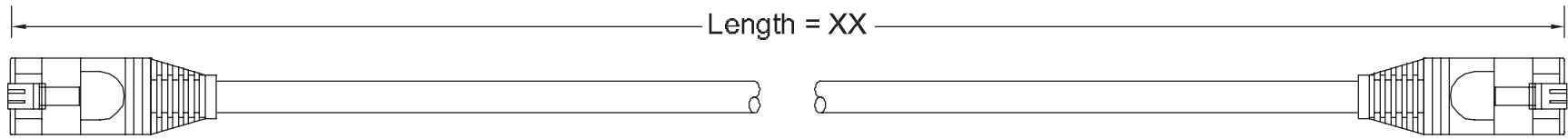


REVISIONS				
ZONE	REV	DESCRIPTION	DATE	APPROVED



CABLE - SPECIFICATIONS

DATATWIST (R) SIX - SOLID PATCH - BELDEN 7883A



CONNECTOR - SPECIFICATIONS

Performance: Meets or exceeds Category 5E EIA/TIA 2840
 Contact Material: Phosphor Bronze - 0.012 THK
 Contact Plating: 50 micro-inch Selective gold plate in contact area over 100 micro-inch minimum nickel plating. Polycarbonate

Plug Material: Polycarbonate
 Plug Tolerances and Dimensions: Complies with full F.C.C. Requirements
 UL Flammability rating: 94-V0 - File #E188111
 Operational Temperature: -40°C to +70°C
 Insertion and Extraction Life: 1000 cycles
 Contact Resistance: 10 MILLOHMS MAX.
 Current/Voltage: 30VAC/42VDC at 1.5 AMPS

Available Colors (YY)	
Gray	(GY)
Blue	(BL)
Green	(GN)
Red	(RD)
Yellow	(YL)
White	(WH)
Black	(BK)
Pink	(PK)
Purple	(PP)
Brown	(BR)
Orange	(OR)
Ivory	(IV)

I. DESCRIPTION NON-PLENUM:
 4 PAIR UTP (UNSHIELDED TWISTED PAIR) CABLE, 24 AWG SOLID BARE COPPER, POLYOLEFIN INSULATED SINGLES @ CENTRAL SLIT-FILM FILLER, FLEXIBLE PVC JACKET. JACKET IS SEQUENTIALLY MARKED AT TWO FOOT INTERVALS.

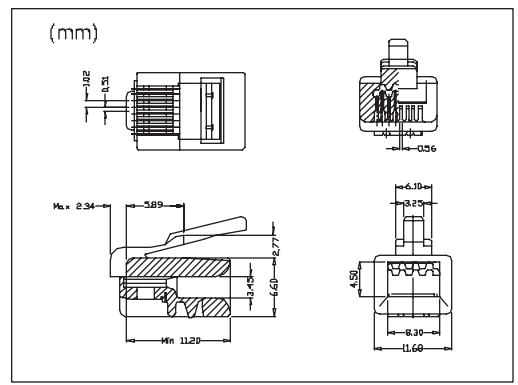
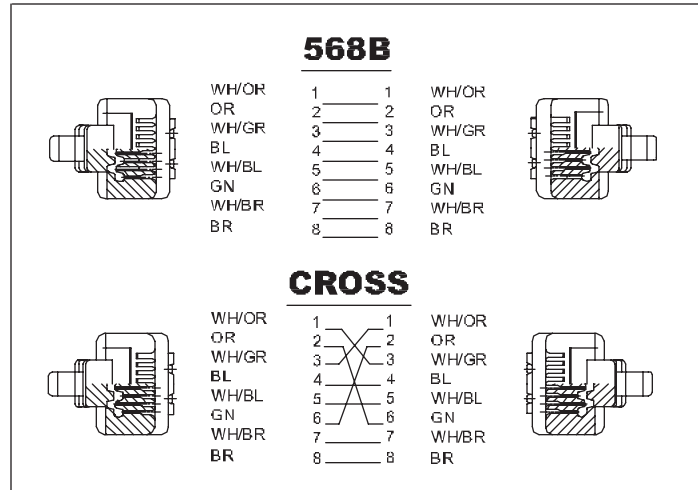
II. APPLICATIONS:
 SUPPORTS CURRENT SUCH AS 100 BASE TX, 100 BASE VG ANYLAN, AND 155 ATM. IDEAL FOR USE IN EXISTING OR FUTURE HIGH BANDWIDTH APPLICATIONS SUCH AS 622 ATM AND GIGABIT ETHERNET.

III. PHYSICAL CHARACTERISTICS:
 TEMPERATURE RANGE: -20 TO 75 C
 INSULATION MATERIAL: POLYOLEFIN
 JACKET MATERIAL: PVC
 FILLER MATERIAL: FRPP
 MAX. PULLING TENSION: 40 LBS.
 MIN. CONDUCTOR OD: 0.020"
 MIN. INSULATION OD: 0.034"
 NOM. WEIGHT/1000 FT: 27.5 LBS.
 MIN. BEND RADIUS: 0.5"
 NOM. DIAMETER: 0.205"
 APPLICABLE SPECIFICATIONS: TIA/EIA CAT.6 DRAFT 10
 FLAME RATING AND TEST: UL TYPE CM, UL 1581 VERTICAL TRAY C(UL)TYPE CM, CSA FT1



IV. COLOR CODE:
 PAIR #1: WHITE/BLUE & BLUE
 PAIR #2: WHITE/ORANGE & ORANGE
 PAIR #3: WHITE/GREEN & GREEN
 PAIR #4: WHITE/BROWN & BROWN

V. ELECTRICAL CHARACTERISTICS:
 MAX. OPERATING VOLTAGE: 300 V RMS
 NOM. CAPACITANCE @ 1 KHZ: 15 PFF/FT.
 NOM. VELOCITY OF PROPAGATION: 70 %



SHEET 1 OF 1		ALL COPY RIGHTS RESERVED	
SIZE	LTR	Tri-Net Technology/USA	
DIA	PART NUMBER		
SCALE	05GW-XXX		
DATE	Jan.05.02	DRAWING NO.	
DESIGN	DRAWN	CHECKED	