

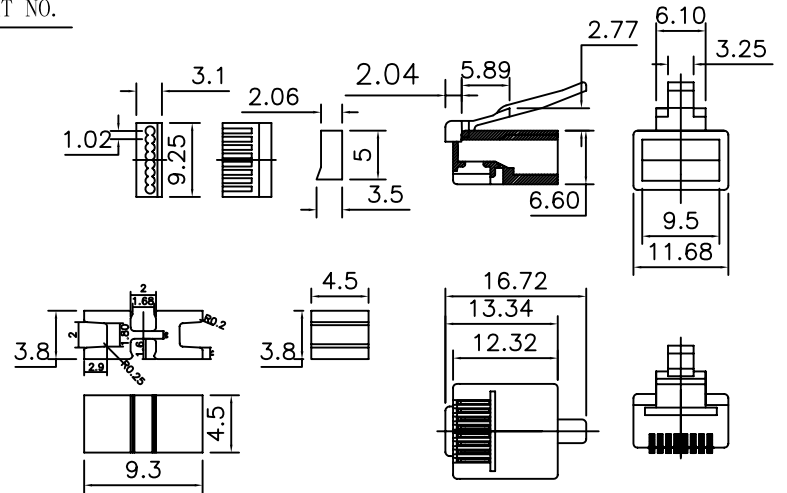
WIRE CONNECTION

WIRE COLOR	P1	PAIRS	P2
WHITE/ORANGE	1	——	1
ORANGE	2	——	2
WHITE/GREEN	3	——	3
BLUE	4	——	4
WHITE/BLUE	5	——	5
GREEN	6	——	6
WHITE/BROWN	7	——	7
BROWN	8	——	8

L	T
L ≤ 3FT	±25MM
3FT < L < 15FT	±51MM
15FT ≤ L ≤ 50FT	+152 / -51MM
50FT < L ≤ 225FT	+305 / -152MM
225FT < L ≤ 300FT	+500 / -305MM
L > 300FT	+914 / -500MM

APPROVED BY _____
 COMPANY: _____
 PURCHASING/ENGINEER: _____
 DATE: _____

05GDR-XX-A-AQUA
 LENGTH UNIT: FT



- REMARK:
- 1.CABLE:UTP CAT.6a UTP CABLE.4P*24AWG(7/0.203)(BARE COPPER. INSULATION: HD-PE.OD:0.97±0.05mm)+CROSS+OUTER JACKET:AQUA PVC,OD:6.2±0.15mm. 500MHZ, 10G, OD=6.2±0.2MM. P/N:06A-R4P-T24-AQUA.
 - 2.CONN.:P1,P2 8P8C MODULAR, SHORT BODY, SINGLE LAY, GOLD PLATED 50u". P/N:060-F88-T50-SB-C6.(05GDR).
 - 3.ALL HOOD:MOLDING 60P AQUA PVC.
 - 4.CABLE ASS'Y PASS FLUKE 4300 C6 PATCH CORD TEST.WITH TEST REPORT IN THE BAG.
 - 5.MOLD NO.: 88-07.



A	INITIAL RELEASE		03/24/07	
REV	DESCRIPTION OF CHANGE		DATE	
TOLERANCE		Tri-Net Technology, Inc.		
INCHES		M/M		
.X	.015	.30	http://www.trinetusa.com	
.XX	.010	.10	SCALE	NONE
.XXX	.005	.05	UNIT	MM
DRAWN BY		Walt	SHEET	1/1
CHECK BY			DATE	03/24/07
APPD BY			TITLE	8P8C PLUG/8P8C PLUG
			PART NO.	05GDR-XX-A-AQUA