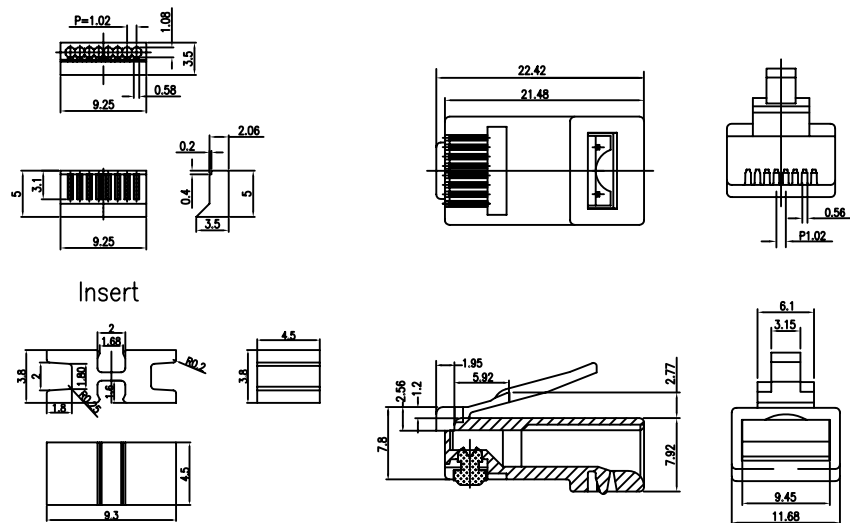


L	T
L<=3FT	+50/-0mm
3FT<L<=15FT	+100/-0mm
15FT<L<=30FT	+150/-0mm
L>30FT	+200/-0mm

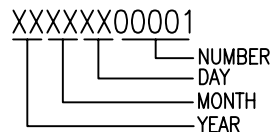
WIRING LIST

WIRE COLOR	P1	PAIRS	P2
WHITE/ORANGE	1	=====	1
ORANGE	2	=====	2
WHITE/GREEN	3	=====	3
BLUE	4	=====	4
WHITE/BLUE	5	=====	5
GREEN	6	=====	6
WHITE/BROWN	7	=====	7
BROWN	8	=====	8

PLUG DRAWING(UNIT:mm)



SEE THE LABEL:



EXAMPLE:05122300001

APPROVED BY _____

COMPANY: _____

PURCHASING/ENGINEER: _____

DATE: _____

05GD-XXFT-A-XX-C6E

COLOR: BK,BL,GN,GY,OR,PK,PP,RD,WH,YL.

LENGTH UNIT:FT

NOTE:

- CAT.6 UTP 24AWG*4P(7/0.205,BARE COPPER INSULATION:PE)
+CORSS JACKET:PVC,OD=6.2±0.2MM
TNT P/N:06G-R4P-T24-XX
- CONN.:P1 & P2: 8P8C PLUG, LONG BODY, SINGLE LAY, GOLD PLATED
50u" TNT P/N:05GD(060-R88-T50-C6E)
- ASS'Y BOOT:ø6.2mm (TNT P/N: 060-B00T-SR3-XX)
- CABLE ASS'Y MUST PASS FLUKE TEST.
- THE CABLE NEED 1 PCS LABEL.
- ALL PRODUCT NEED THE TESTING REPORT(CD TYPE)



TOLERANCE			Tri-Net Technology, Inc.			
INCHES	M/M		http://www.trinetusa.com			
.X	.015	.30	SCALE	NONE	REV	A
.XX	.010	.10	UNIT	MM		
.XXX	.005	.05	SHEET	1/1	DWG NO.	
DRAWN BY <i>Michael</i>			DATE	12/30/05		
CHECK BY			TITLE 8P8C PLUG TO 8P8C PLUG			
APPD BY			PART NO. 05GD-XXFT-A-XX-C6E			