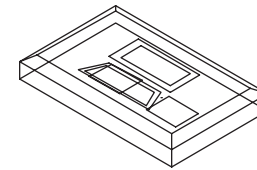
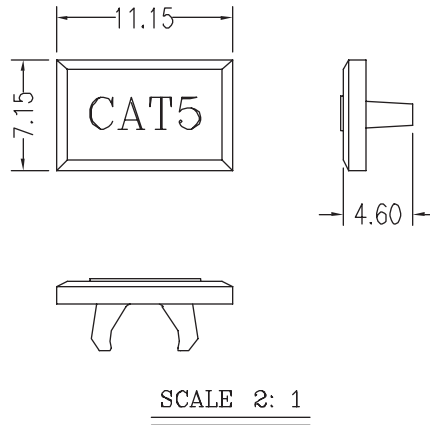
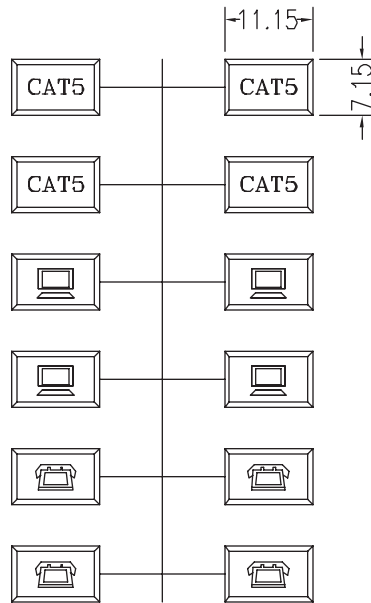
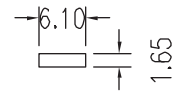


REVISIONS				
ZONE	REV	DESCRIPTION	DATE	APPROVED



SCALE 2: 1



SUGGESTED PANEL CUTOUT

SCALE 2: 1

MATERIAL: ABS UL94V-0
 COLOR: IVORY
 OPTION: WHITE BLUE, GREEN, IVORY, RED, YELLOW, ORANGE.....



COMMON TOLERANCE			SHEET 1 OF 1	ALL COPY RIGHTS RESERVED
CLASS DIMENSION	A	B	SIZE A4	TRI-NET TECHNOLOGY, INC.
	L<=3	±0.05	±0.1	TITLE 073-ICON-XX
3<L<=6	±0.05	±0.1	DIA mm	
6<L<=16	±0.1	±0.15	SCALE 1 : 1	DRAWING NO. PB-0001
16<L<=30	±0.1	±0.2	DATE NOV,18,98	
30<L<=120	±0.15	±0.3	DESIGN	DRAWN
120<L<=315	±0.2	±0.5		CHECKED