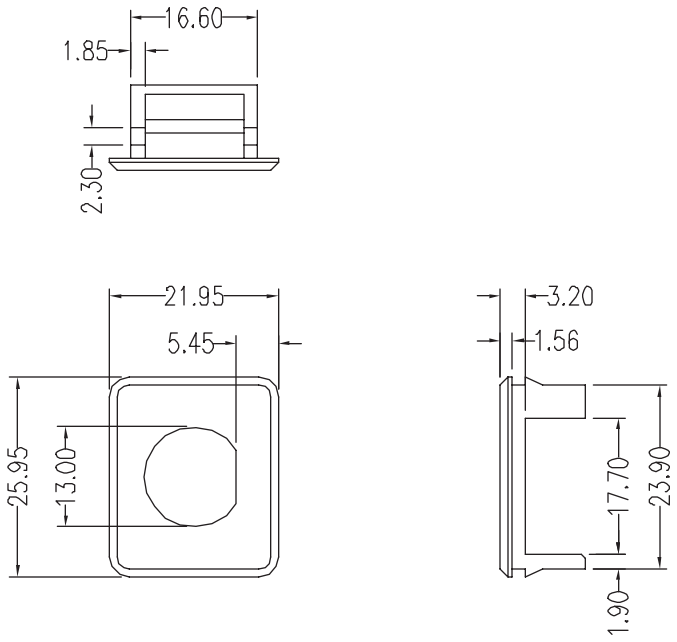



REVISIONS				
ZONE	REV	DESCRIPTION	DATE	APPROVED



COMMON TOLERANCE			SHEET 1 OF 1		ALL COPY RIGHTS RESERVED	
DIMENSION	CLASS	A	B	SIZE	A4	 Tri-Net Technology/USA
	L<=3	±0.05	±0.1	DIA	mm	
	3<L<=6	±0.05	±0.1	SCALE 1 : 1		073-FCX
	6<L<=16	±0.1	±0.15	DATE JUL,22,98"		DRAWING NO.
	16<L<=30	±0.1	±0.2	DESIGN	3:1	PB-0001
	30<L<=120	±0.15	±0.3	DRAWN		CHECKED
	120<L<=315	±0.2	±0.5			