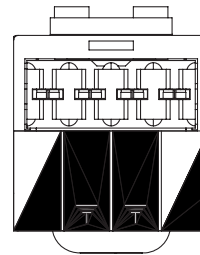
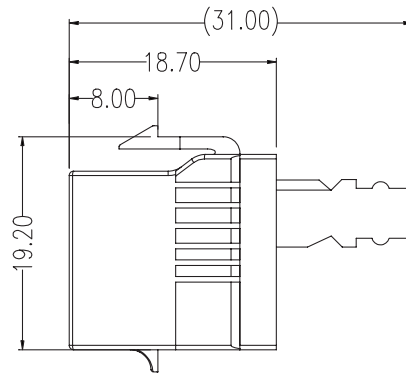
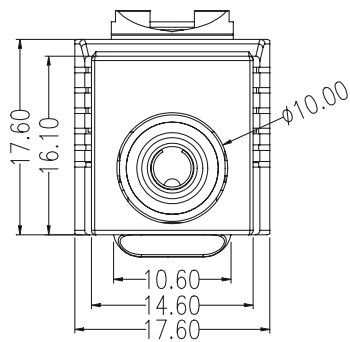
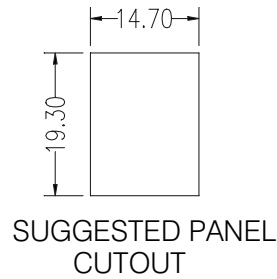
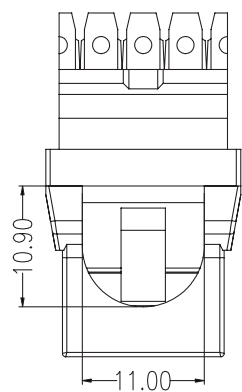
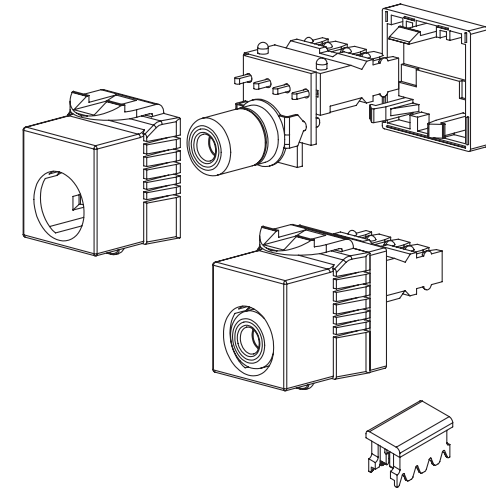


REVISIONS				
ZONE	REV	DESCRIPTION	DATE	APPROVED
	▲			
	▲			

UL CERTIFIED  US LISTED
FILE NO. E145249

W/BL BL OR W/OR



ELECTRICAL

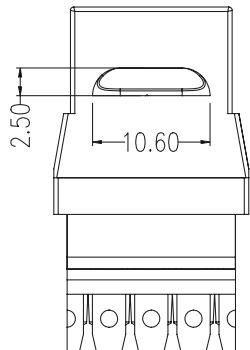
1. Insulation resistance: 100 MOhm min(initial)
2. Contact resistance (initial): 30 mOhm max at AC 100 mA(max) 1KHz.
3. Dielectric withstanding Voltage AC 500V, 60 Hz for 1 minute.
4. Insertion force: 3kgf max.
5. Life test:(20-30 cycle/minute) 1500 cycles unloading.
6. Humidity test: 40±2 C, 90-95% 48hrs.


MATERIAL

Housing: PC, UL 94V-0
 IDC plastic: PC, UL 94V-0
 IDC contact: Phosper Bronze with 200u " Tin over 100u" Nickel undercoat
 Spring Wire: Phosper Bronze with 50u " Gold over 100u" Nickel undercoat
 Idc block:200 termination cycles

ENCLOSURE:

110C-4CAP X 1 PCS



COMMON TOLERANCE		SHEET OF		ALL COPY RIGHTS RESERVED	
CLASS	A	B	SIZE	A4	 Tri-Net Technology, Inc. Total Network Telesis U.S.A.
DIMENSION			DIA	mm	
L<=3	±0.05	±0.1	SCALE	3:2	071-RCA-YL-XX
3<L<=6	±0.05	±0.1	DATE	2004.08.30	DRAWING NO. K-120
6<L<=16	±0.1	±0.15	DESIGN		DRAWN
16<L<=30	±0.1	±0.2			CHECKED
30<L<=120	±0.15	±0.3			
120<L<=315	±0.2	±1			