

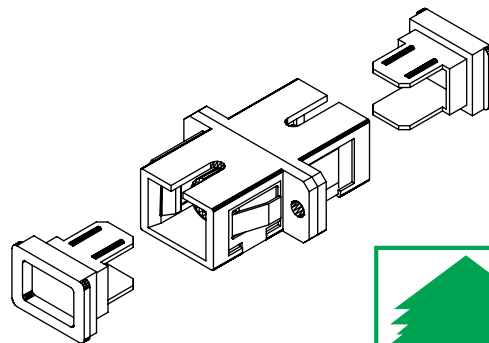
DESCRIPTION

RECOMMENDED PANEL THICKNESS 1.60±0.1

MECHANICAL

- 1. SC HOUSING: PBT(UL 94-V0).
- 2. HOLDER: PBT(UL 94-V0).
- 3. SLEEVE: PHOSPHOR BRONZE
- 4. CLIP: STAINLESS.
- 5. DUST COVER: PP.

Parameter	Condition	Multimode	Singlemode
Insertion loss	$\lambda=1300\text{nm}$	<0.3dB	<0.2dB
Operation Temperature	-20~70°C	0.2dB	0.2dB
Durability Temperature	500 cycles	0.2dB	0.2dB
Cycle Tensile Strength	-20~80°C 10kgf	0.2dB 0.2dB	0.2dB 0.2dB



TOLERANCE		INCHES		M/M		TNT Tri-Net Technology, Inc. http://www.trinetusa.com			
.X	.015	.30	SCALE	1/1	REV A	DWG NO.			
.XX	.010	.10	UNIT	MM					
.XXX	.005	.05	SHEET	1/1					
DRAWN BY		Jack		DATE	10/12/04	TITLE			SC-SC MM SIMPLEX ADAPTER
CHECK BY		Debird		PART NO.		071-ISC-XX			
APPD BY		Peter							