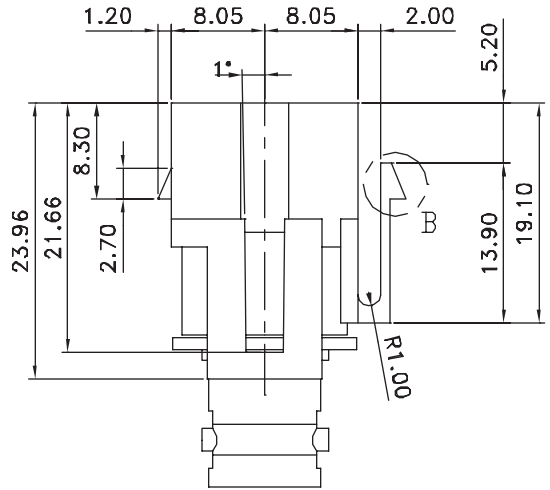
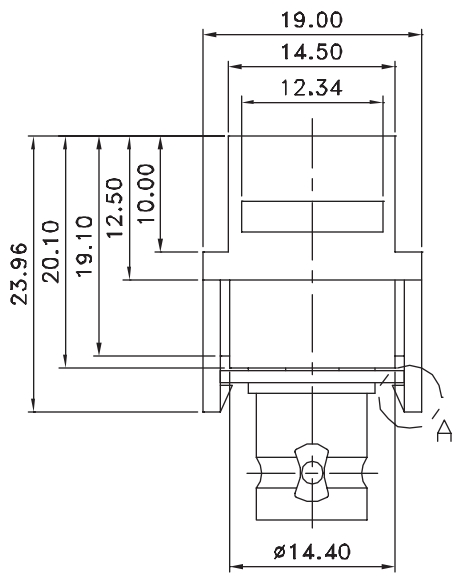
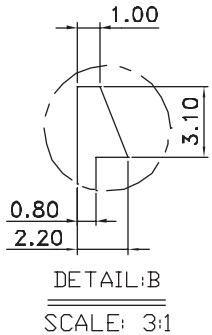
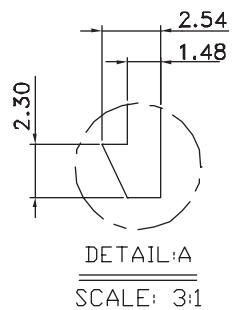
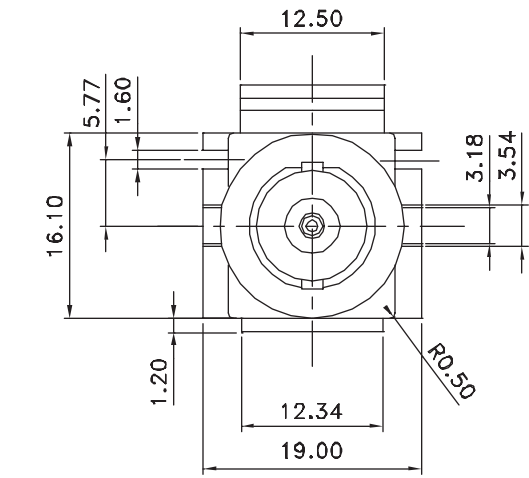


REVISIONS				
ZONE	REV	DESCRIPTION	DATE	APPROVED



MATERIAL: ABS UL94V-0
 COLOR: WHITE(W4),IVORY.
 THE BUS SUIT FOR STANDARD KEYSTONE TYPE WALL PLATE.
 IT CAN COMBINE WITH BNC CONNECTOR.

COMMON TOLERANCE			SHEET 1 OF 1		ALL COPY RIGHTS RESERVED	
CLASS	A	B	SIZE	A4	TNT Tri-Net Technology/USA	
DIMENSION			DIA	mm		
L<=3	±0.05	±0.1	SCALE		PART NUMBER	
3<L<=6	±0.05	±0.1			071-IBN	
6<L<=16	±0.1	±0.15	DATE DEC.18.98		DRAWING NO.	
16<L<=30	±0.1	±0.2			B0078	
30<L<=120	±0.15	±0.3	DESIGN	DRAWN	CHECKED	
120<L<=315	±0.2	±0.5				