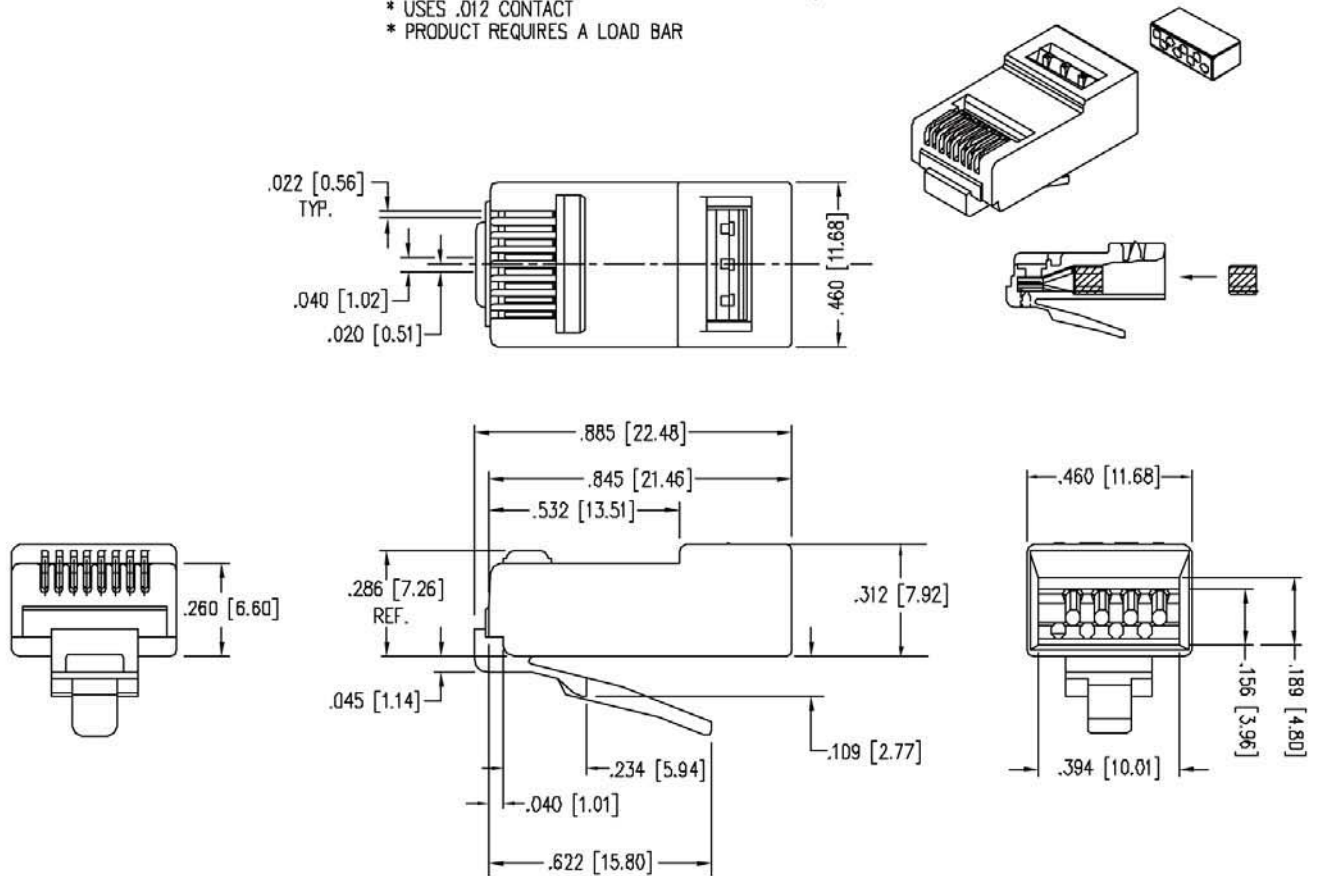


- * EIGHT CONDUCTOR MODULAR PLUG
- * FOR HIGH SPEED APPLICATION
- * FOR CONDUCTORS WITH AN O.D. RANGE OF .037/.042
- * USES .012 CONTACT
- * PRODUCT REQUIRES A LOAD BAR



PERFORMANCE: SPECIFICATIONS :
EXCEEDS CATEGORY 5 EIA/TIA 2840, ANNEX B SPECIFICATION

CONTACT MATERIAL: PHOSPHOR BRONZE - .012 THK
CONTACT PLATING: 50 MICRO-INCH : OTHER PLATING OPTIONS AVAILABLE
SELECTIVE 24 CARAT HARD GOLD PLATE IN CONTACT AREA
OVER 100 MICRO-INCH MINIMUM NICKEL PLATE
PER CURRENT SELECTIVE GOLD PLATING REQUIREMENTS.

PLUG MATERIAL: POLYCARBONATE
PLUG TOLERANCES AND DIMENSIONS: COMPLIES WITH F.C.C REQUIREMENTS
FLAME AUTO EXTINGUISH 94-V0 - File# E188111

OPERATION TEMPERATURE: -40°C TO +70°C
INSERTION/EXTRACTION LIFE: 1000 CYCLES
CONTACT RESISTANCE: 10 MILLOHMS MAX.
CURRENT/VOLTAGE: 30 VAC/42 VDC AT 1.5 AMPS

SD000097



TNT Tri-Net Technology, Inc.

PART NUMBER: 060-R88-T-50-C6