

CONNECTOR - SPECIFICATIONS

1. Electrical:

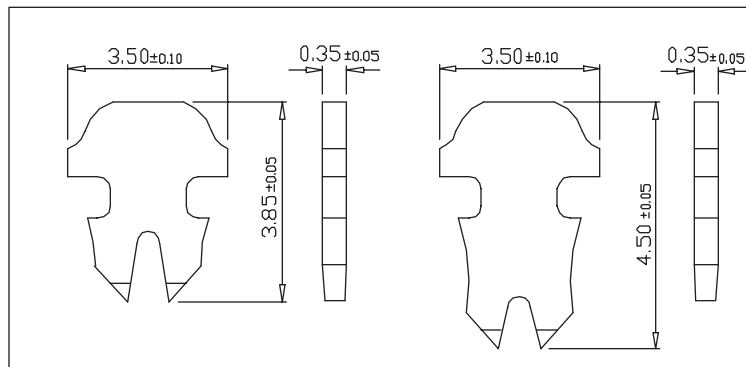
UL Applications: 250 volts AC max., at 2 AMPS.
 Dielectric Withstanding Voltage: 500 volts AC.
 Insulation Resistance: 500 megohms.
 Termination Resistance: 35 milliohms max after environmental testing.

2. Mechanical:

Cable-to-Plug Tensile Strength: 20 lbs (89N) MIN.
 Durability: 200 mating cycles.

3. Material & Finish:

Housing: Polycarbonate, UL94-2.
 Color: Clear (Custom Color Available).
 Contact: High strength copper alloy.
 Gold plating over 100 micro inch nickel.
 Conductor: Stranded. 24. 26. 28 AWG.



UNIT: m/m



TNT Tri-Net Technology/USA			
P/N	060-R88-T-50-C5E		
		DESIGN	SC
DATE	5-15-02		REV A/3