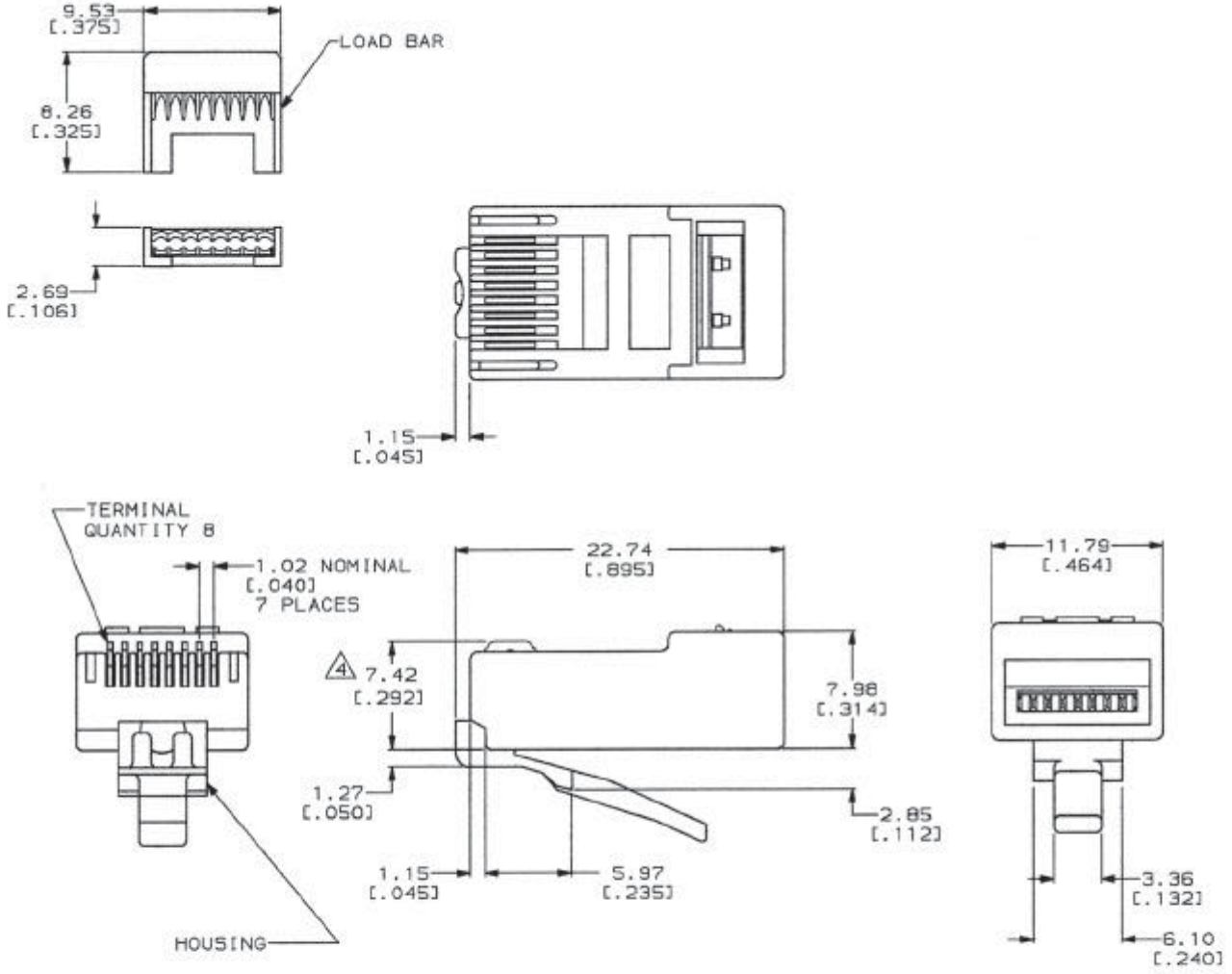


REVISONS		DATE	APPD
AA	22	15MAY98	DU
ZONE	LTR	DESCRIPTION	
	C	OBsolete; 5/5, EC 0502-0827-97	



- 1 MATERIAL: HOUSING-POLYCARBONATE, CLEAR. TERMINAL-0.36[.014] THICK PHOSPHOR BRONZE PLATED WITH 1.27µm[.000050] MINIMUM THICK GOLD IN LOCALIZED AREA, GOLD FLASH OVER THE REMAINDER, OVER 2.54µm[.000100] MINIMUM THICK NICKEL UNDERPLATE. LOAD BAR - PBT POLYESTER, BLACK.
- 2 DIMENSIONS ARE MAXIMUM UNLESS OTHERWISE SPECIFIED.
- 3. PLUG WILL ACCEPT A 24 AWG STRANDED CONDUCTOR, PROVIDED THE INSULATED CONDUCTOR DIAMETER IS LESS THAN OR EQUAL TO 0.99 [.039]; WITH A MAXIMUM CABLE JACKET DIAMETER OF 5.59 [.220], MINIMUM 4.83 [.190].
- 4 TERMINATED DIMENSION 6.15[.242] MAXIMUM.
- 5 PACKAGED 500 ASSEMBLIES AND 500 LOAD BARS PER CARTON.
- 6 PACKAGED 100 ASSEMBLIES AND 100 LOAD BARS PER BOX.
- 7 PACKAGED 25 ASSEMBLIES AND 25 LOAD BARS PER BAG.
- 8 PACKAGE 10,000 ASSEMBLIES AND 10,000 LOAD BARS PER BAG.

PACKAGED	PART NUMBER
8	5-558530-4
7	5-558530-3
6	5-558530-2
5	5-558530-1



THIS DRAWING IS A CONTROLLED DOCUMENT FOR AMP INCORPORATED. IT IS SUBJECT TO CHANGE AND THE CONTROLLING ENGINEERING ORGANIZATION SHOULD BE CONTACTED FOR THE LATEST REVISION.

DO NOT SCALE PRINT. UNLESS SPECIFIED DIMENSIONS IN mm (INCHES) TOLERANCES ON:	DR 5-31-94 T. WOOTEN	Tri-Net Technology / U.S.A. NAME MODULAR PLUG ASSEMBLY, 8 POSITION, ROUND CABLE, STRANDED WIRE
2 PLC DEC * -	CHK 7-13-94 D. HUSSEY	
3 PLC DEC * -	APPD 7-20-94 E. LAURER	
ANGLES * -	APPD 7-20-94 H. MCGRATH	
MATERIAL	PRODUCT SPEC 108-1163	SIZE C
FINISH	APPLICATION SPEC 114-6053	CAGE CODE 00779
	WEIGHT	PART NUMBER 060-R88-T-50-C5
		SCALE 4:1
		SHEET 1 OF 1