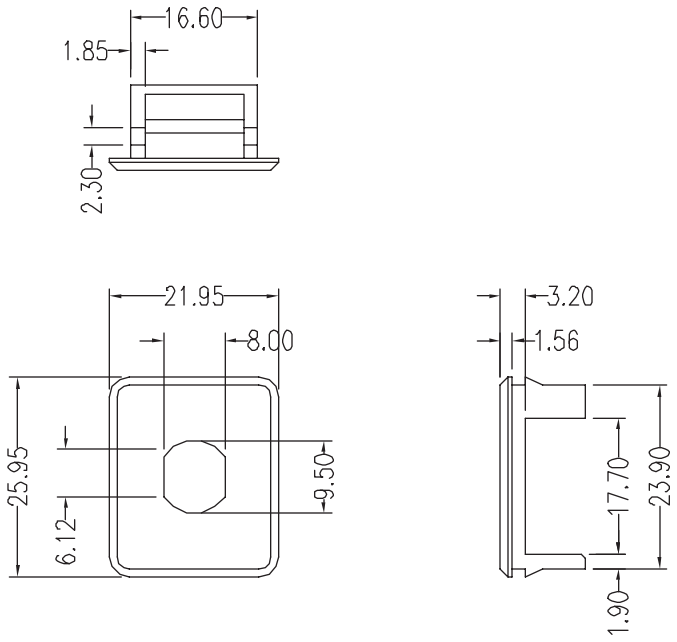


REVISIONS				
ZONE	REV	DESCRIPTION	DATE	APPROVED



COMMON TOLERANCE			SHEET 1 OF 1		ALL COPY RIGHTS RESERVED	
CLASS	A	B	SIZE	A4	TNT Tri-Net Technology/USA	
DIMENSION			DIA	mm		
L<=3	±0.05	±0.1	SCALE 1 : 1		PART NUMBER	
3<L<=6	±0.05	±0.1			073-ST	
6<L<=16	±0.1	±0.15	DATE JUL,22,98"		DRAWING NO.	
16<L<=30	±0.1	±0.2			PB-0001	
30<L<=120	±0.15	±0.3	DESIGN	3:1	DRAWN	CHECKED
120<L<=315	±0.2	±0.5				