

**ELECTRICAL**

**UL APPLICATIONS: 250 VOLTSAC**

**MAX.AT 2 AMPS.**

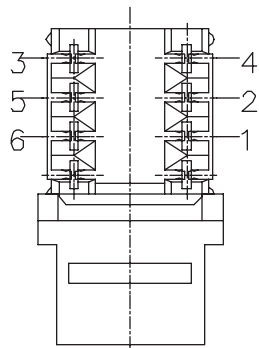
**DIELECTRIC WITH STANDING VOLTAGE:**

**500 VOLTS AC.**

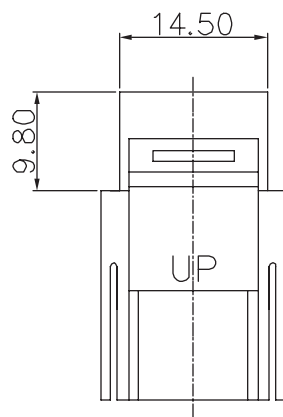
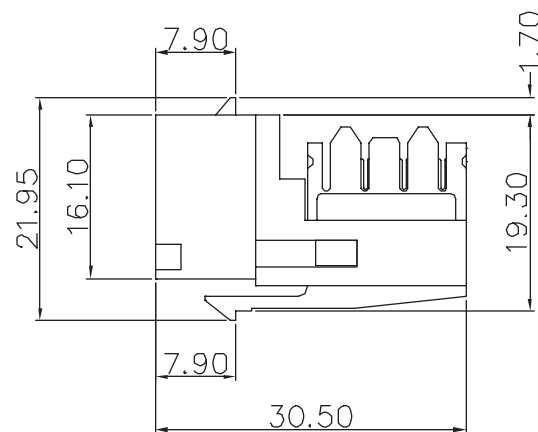
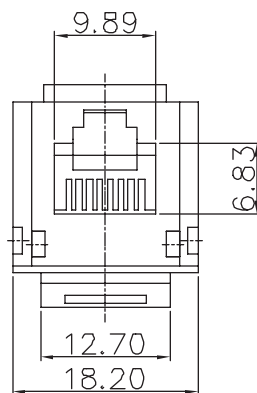
**INSULATION RESISTANCE:500 MEGOHMS.**

**TERMINATION RESISTANCE:35 MILLIOHMS**

**MAX.AFTER ENVIRONMENTAL TESTING.**



654321



(1)Materials:PC+ABS UL94V0

(2)RJ12Jack Contact:Phosphor

bronze,50u"gold plating in contact area.

(3)Cavity conforms to FCC rules and Regulations Part68

COLOR		
IDC TYPE		
ACCESSORIES	COLOR	QUANTITY
DATA		
VOICE		
CAT.5		
CAT.5E		
NO MARK		
WIRE COVER		

REVISIONS

REV.	DESCRIPTION	DATE	APPROVED



ITEM	PART NAME	MATERIAL	TREATMENT	QUANTITY	REMARK
ANGLE	TITLE <b>K7F-I66-YY</b>			DRAWER	陳勇
315-500 ±1.0	MODLE	TREATMENT	DATE 03/19/2001	DESIGNER	
120-315 ±0.6				CHECK	
80-120 ±0.4	MATERIAL				
30-80 ±0.2	DRAWING NO.	UNIT: mm	SCALE	APPROVED	
6-30 ±0.14					
6±0.1					
TOLERANCE	REV:		TRI-NET TECHNOLOGY, INC.		