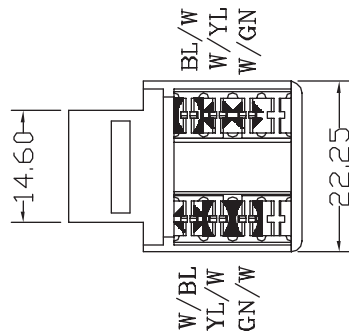
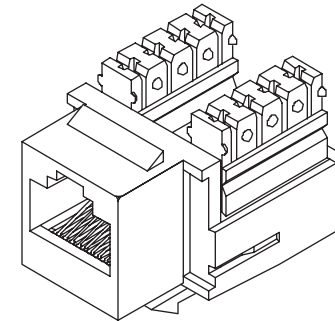


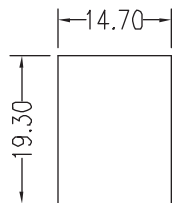
REVISIONS				
ZONE	REV	DESCRIPTION	DATE	APPROVED



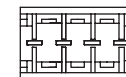
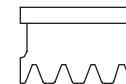
CAT.5
UL CERTIFIED



ACCORDING TO TSB-40A
REQUIREMENTS
FILE NO.E145249



SUGGESTED PANEL
CUTOUT



IDC CAP

JACK	1	2	3	4	5	6
IDC	1	2	3	4	5	6

PHYSICAL SPECIFICATIONS:

PLASTIC: UL 94V-0 THERMOPLASTIC

JACK WIRE: 50u" GOLD PLATING OVER 100u" NICKEL UNDER PLATE

COMMON TOLERANCE			SHEET OF		ALL COPY RIGHTS RESERVED	
CLASS	A	B	SIZE	A4	Tri-Net Technology/USA	
DIMENSION			DIA	mm	PART NUMBER	
L<=3	±0.05	±0.1	SCALE		07F-I66	
3<L<=6	±0.05	±0.1	DATE	NOV.16.98	DRAWING NO.	
6<L<=16	±0.1	±0.15	DESIGN		K-064	
16<L<=30	±0.1	±0.2	DRAWN		CHECKED	
30<L<=120	±0.15	±0.3				
120<L<=315	±0.2	±0.5				