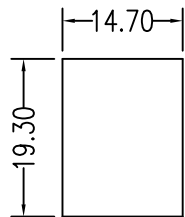
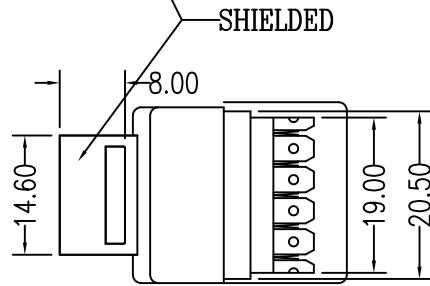
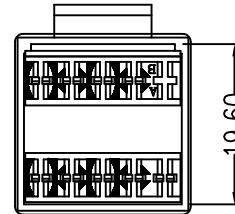
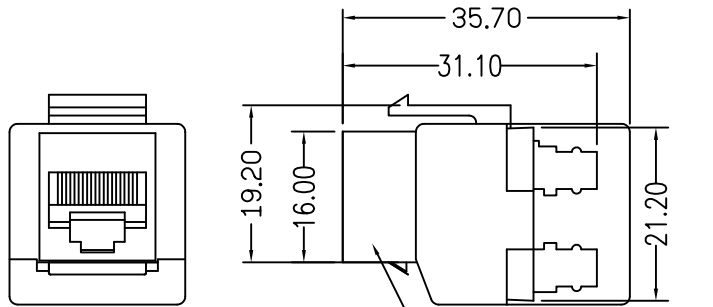
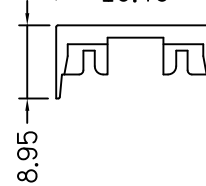
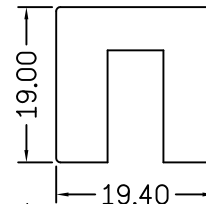


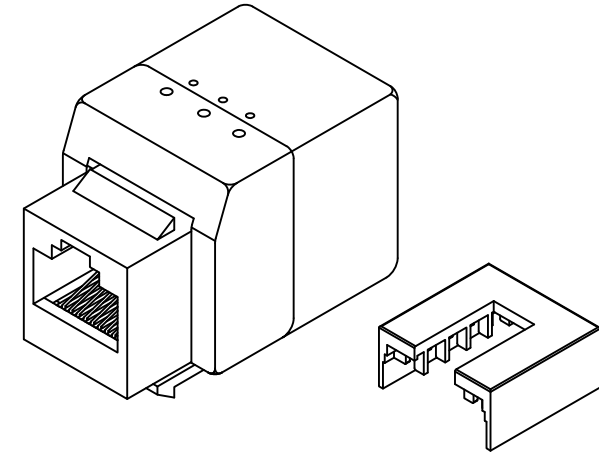
REVISIONS				
ZONE	REV	DESCRIPTION	DATE	APPROVED




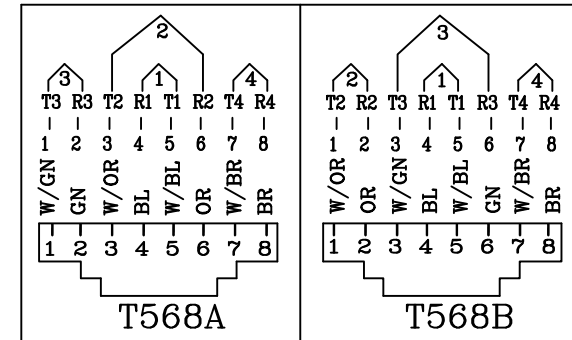
SUGGESTED PANEL CUTOUT



IDC CAP X 1



Cat 5e  
**UL CERTIFIED**  **US LISTED**  
 ACCORDING TO TSB-40A  
 REQUIREMENTS  
 FILE NO.E145249




ENCLOSURE:

CABLE HOLDER X 1 SET 

PHYSICAL SPECIFICATIONS:

PLASTIC: UL 94V-0 THERMOPLASTIC

JACK WIRE: 50u" GOLD PLATING OVER 100u" NICKEL UNDER PLATE

COMMON TOLERANCE		SHEET 1 OF 1	ALL COPY RIGHTS RESERVED	
DIMENSION	CLASS	A	B	 Tri-Net Technology, Inc. <a href="http://www.trinetusa.com">http://www.trinetusa.com</a>
L <= 3	±0.05	±0.1	SIZE A4	TITLE
3 < L <= 6	±0.05	±0.1	UNIT: mm	<b>07E-I88-C5E</b>
6 < L <= 16	±0.1	±0.15	SCALE:	
16 < L <= 30	±0.1	±0.2	DATE: 2001.12.17	DRAWING NO.
30 < L <= 120	±0.15	±0.3	DESIGN	07E-I88-C5E
120 < L <= 315	±0.2	±0.5	DRAWN	CHECKED