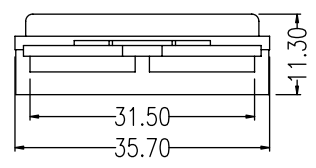
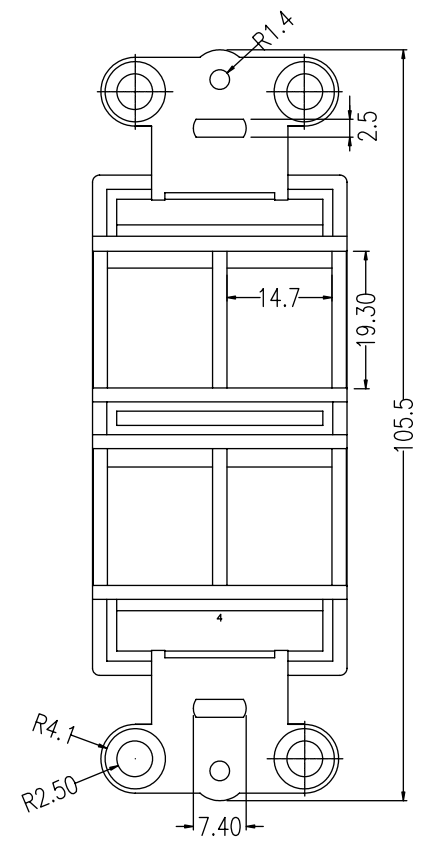
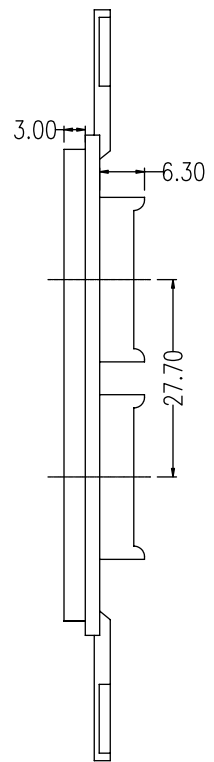
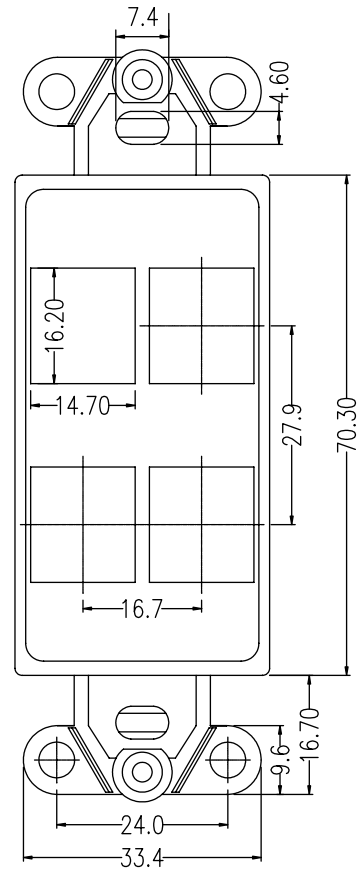


REVISIONS				
ZONE	REV	DESCRIPTION	DATE	APPROVED
	△			
	△			




MATERIAL

Housing: ABS, UL 94V-0
 COLOR: WHITE, IVORY.....
 Temperature: -40° C ~ 68° C
 Humidity: 10% ~ 90% RH

ENCLOSURE:

 K4 6x 25mm SCREW X 2



COMMON TOLERANCE			SHEET OF		ALL COPY RIGHTS RESERVED	
CLASS	A	B	SIZE	A4	 Tri-Net Technology, Inc. <i>Total Network Telesis U.S.A.</i>	
DIMENSION			DIA	mm		
L<=3	±0.05	±0.1	SCALE	1:1	07X-104-XX	
3<L<=6	±0.05	±0.1	DATE	2004.10.26	DRAWING NO. B-244	
6<L<=16	±0.1	±0.15	DESIGN		DRAWN	CHECKED
16<L<=30	±0.1	±0.2				
30<L<=120	±0.15	±0.3				
120<L<=315	±0.2	±0.5				