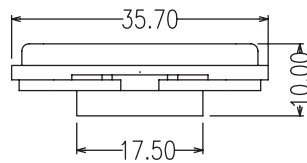
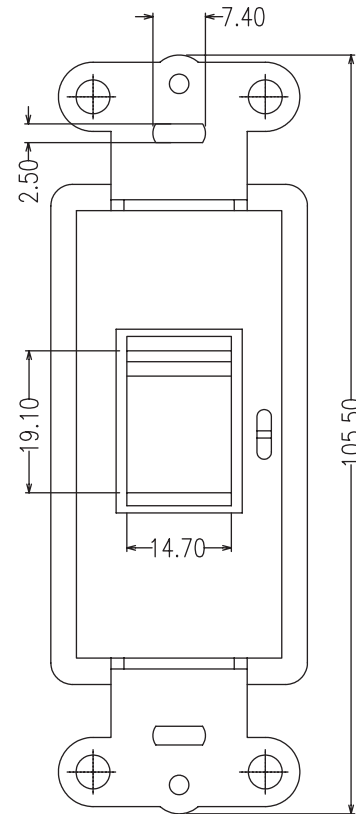
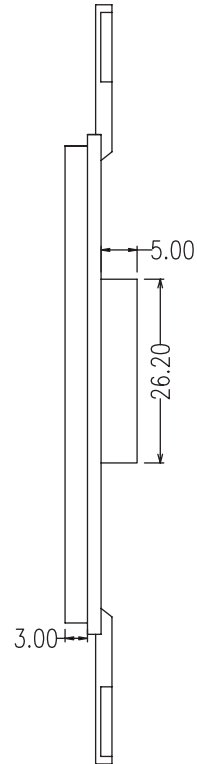
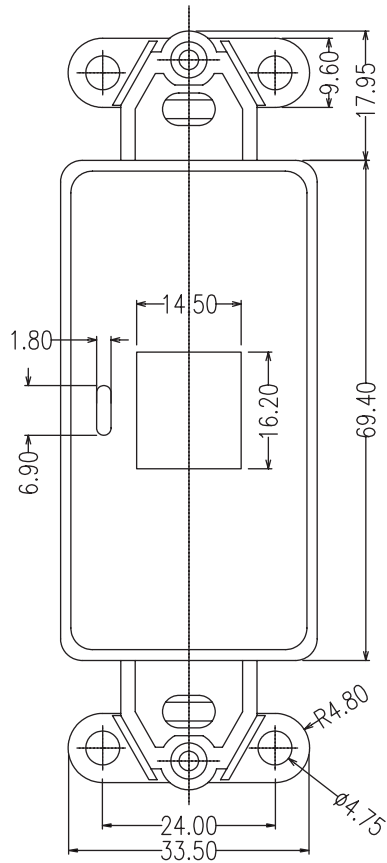


REVISIONS				
ZONE	REV	DESCRIPTION	DATE	APPROVED
	▲			
	▲			



MATERIAL


Housing: ABS, UL 94V-0

COLOR: WHITE, IVORY.....

Temperature: -40° C ~ 68° C

Humidity: 10% ~ 90% RH

ENCLOSURE:

 K4 6x25mm SCREW X 2



COMMON TOLERANCE			SHEET OF	ALL COPY RIGHTS RESERVED	
CLASS	A	B		SIZE	A4
DIMENSION			DIA	mm	TITLE
L <= 3	±0.05	±0.1	SCALE	1:1	07X-I01-XX
3 < L <= 6	±0.05	±0.1	DATE	2004.10.26	DRAWING NO. B-243
6 < L <= 16	±0.1	±0.15	DESIGN		DRAWN
16 < L <= 30	±0.1	±0.2			CHECKED
30 < L <= 120	±0.15	±0.3			
120 < L <= 315	±0.2	±0.5			

Tri-Net Technology, Inc.
Total Network Telesis U.S.A.