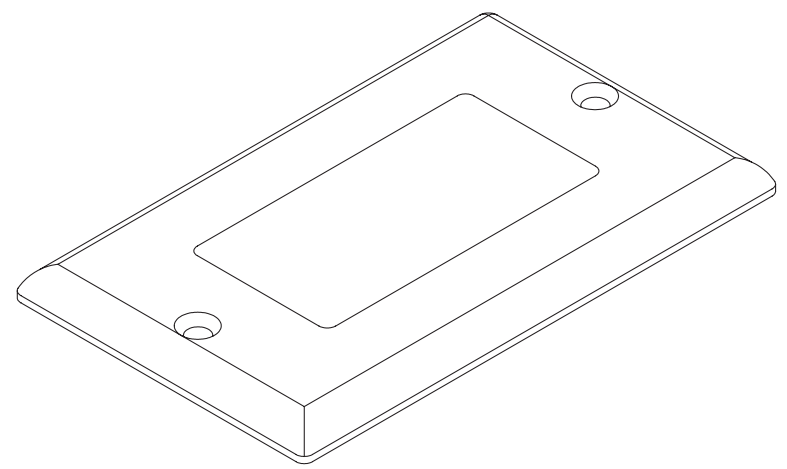
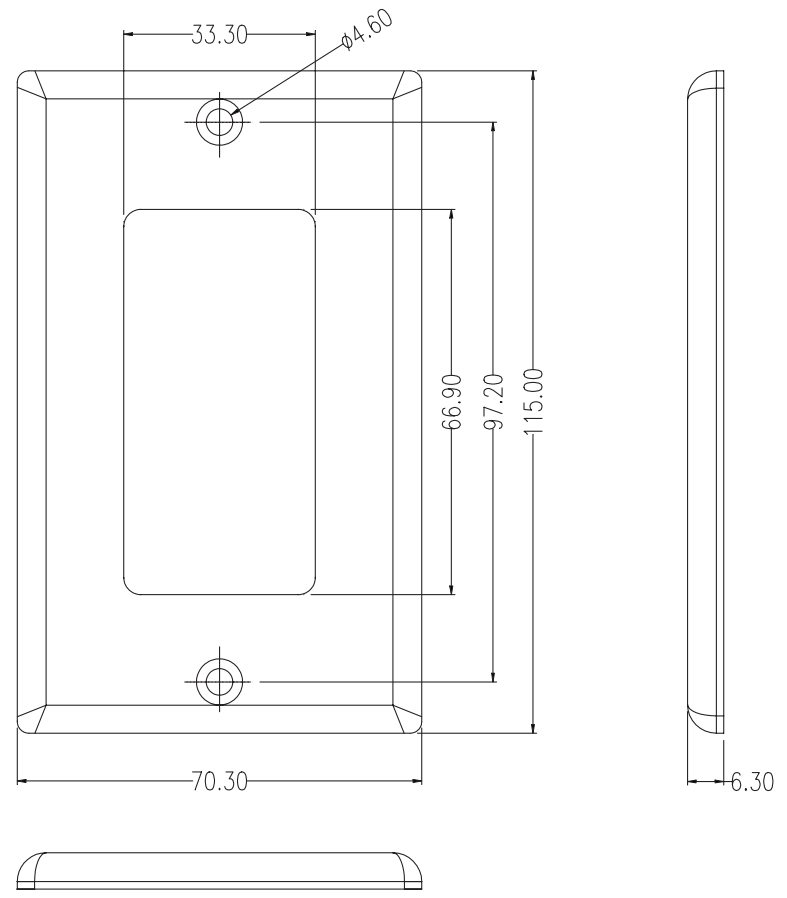



REVISIONS				
ZONE	REV	DESCRIPTION	DATE	APPROVED
	1			



MATERIAL
 Housing: ABS, UL 94V-0
 COLOR: WHITE, IVORY.....
 Temperature: -40°C ~ 68°C
 Humidity: 10% ~90% RH

ENCLOSURE:
 K4-6 x 8mm SCREW X 2



COMMON TOLERANCE			SHEET	OF	ALL COPY RIGHTS RESERVED	
CLASS	A	B	SIZE	A4	 Tri-Net Technology, Inc. <i>Total Network Telesis U.S.A.</i>	
	DIMENSION		DIA	mm		
L<=3	±0.05	±0.1	SCALE	4:5	TITLE	
3<L<=6	±0.05	±0.1	DATE	2004.10.15	07X-F-1-XX	
6<L<=16	±0.1	±0.15	DESIGN		DRAWING NO.	
16<L<=30	±0.1	±0.2	DRAWN		B-109	
30<L<=120	±0.15	±0.3	CHECKED			
120<L<=315	±0.2	±1				