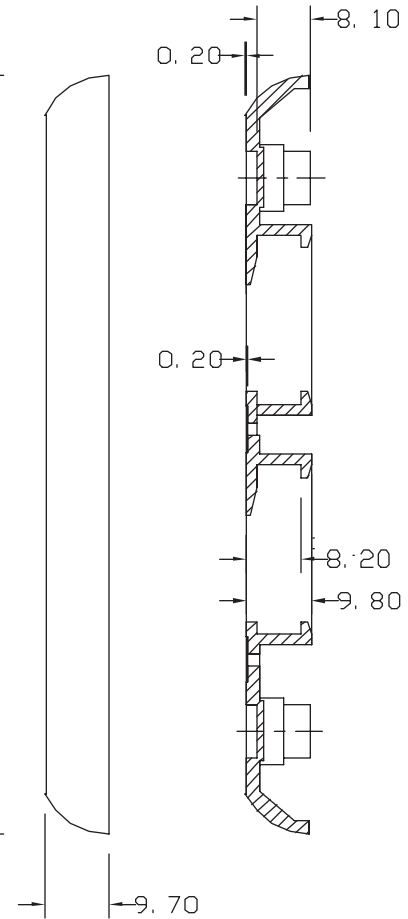
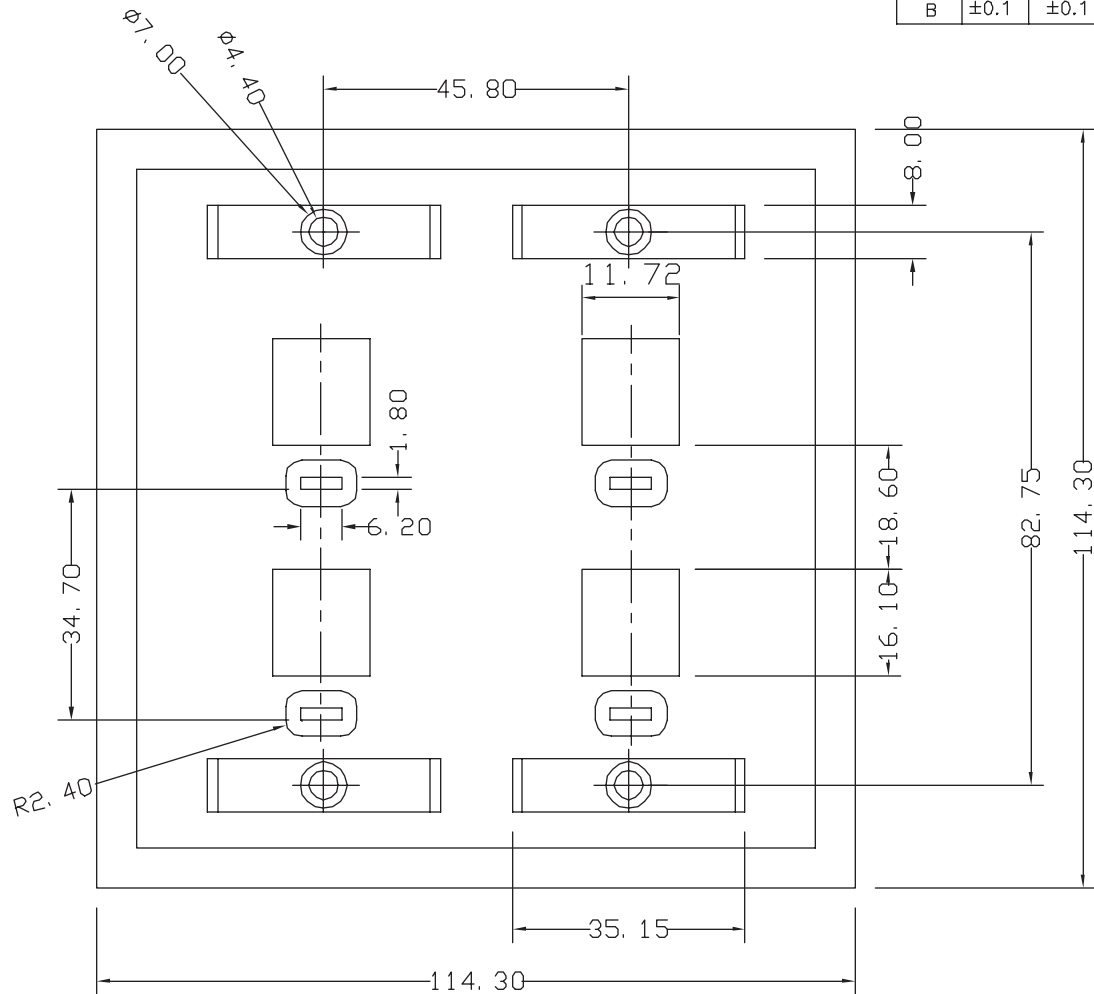



COMMON TOLERANCE							
	L<=3	3<L<=6	6<L<=16	16<L<=30	30<L<=120	120<L<=315	315<L<=1000
A	±0.05	±0.05	±0.1	±0.1	±0.15	±0.2	±0.5
B	±0.1	±0.1	±0.15	±0.2	±0.3	±0.5	±0.8




ENCLOSURE PARTS:

 K4 6X25mm SCREW X4

 WHITE PAPER X4

 CLEAR COVER X4

DOUBLE GANE WALL PLATE 4 PORTS.
W/STATION ID AND ICON.
MATERIAL: ABS UL94V-0
COLOR: WHITE(W4),IVORY(I2)

NO.	PART NO.	DESCRIPTION	QTY	MATERIAL	REMARKS
SHEET 1 OF 1 ALL COPY RIGHTS RESERVED					
SIZE A4		 Tri-Net Technology/USA			
DIA mm					
DATE NOV,17,97			PART NUMBER		
DWG FILEB-063			07M-I24		
SCALE 2:1			DRAWN		CHECKED