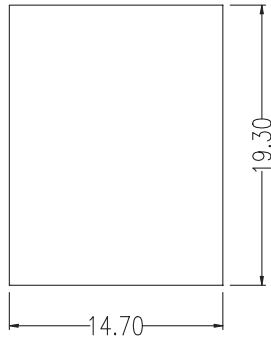
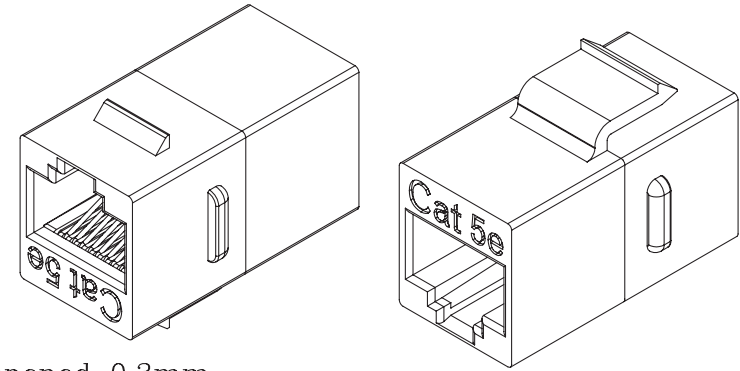




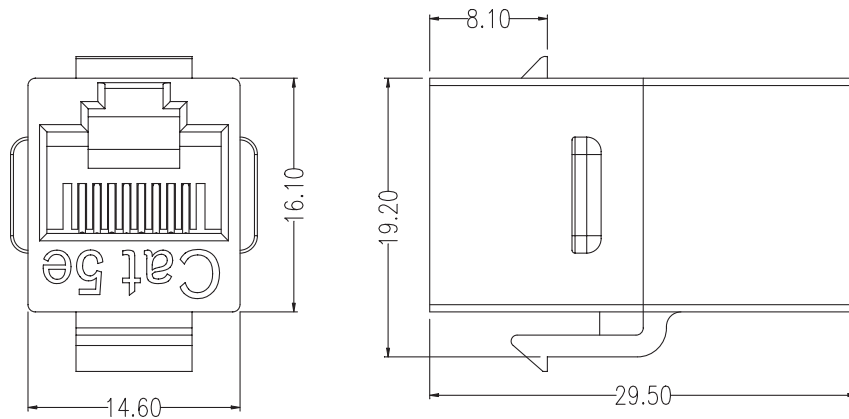
REVISIONS				
ZONE	REV	DESCRIPTION	DATE	APPROVED
	1			
	1			



Suggested Panel Cutout



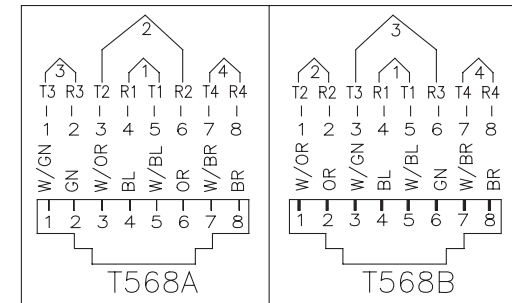
Concave deepened 0.3mm



Cat 5e
UL CERTIFIED



ACCORDING TO TIA/EIA-568-B-2
REQUIREMENTS
FILE NO.E145249



MATERIAL

Housing: ABS, UL 94V-0
Spring Wire: Phosphor Bronze with 50u" Gold over 100u" Nickel undercoat
Temperature: -40°C ~ 68°C
Humidity: 10% ~ 90% RH
Modular jack: 750 mating cycles

ELECTRICAL

Current rating: 1.5 Amps
Insulation resistance: 500 MOhm
Contact resistance: 20 mOhm
DC resistance: 0.1 Ohm
Dielectric withstanding voltage: 1000 V

COMMON TOLERANCE		SHEET	OF	ALL COPY RIGHTS RESERVED	
CLASS	A	SIZE	A4		
	B				
DIMENSION	L<=3 ±0.05 ±0.1	DIA	mm	TITLE	
	3<L<=6 ±0.05 ±0.1	SCALE	2:1	080-88S-C5-M	
	6<L<=16 ±0.1 ±0.15	DATE	2004.02.13	DRAWING NO.	
	16<L<=30 ±0.1 ±0.2	DESIGN		C-042-2	
	30<L<=120 ±0.15 ±0.3	DRAWN		CHECKED	
	120<L<=315 ±0.2 ±0.5	CHECKED			