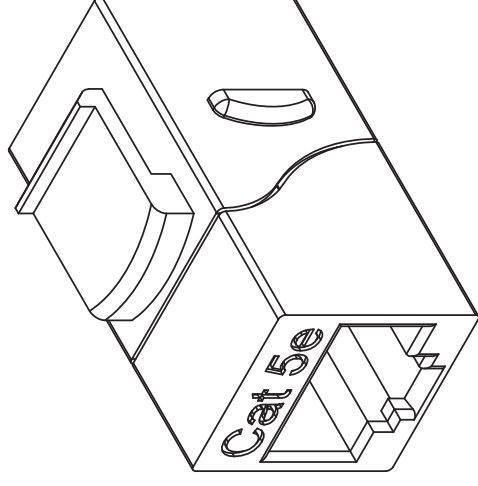


SUGGEST PANEL CUTOUT



## MATERIAL

COUPLER HOUSING : Polycarbonate resin high-impact UL94V-0 thermoplastic  
 CONTACT HOLDER : ABS high-impact UL94V-0 thermoplastic  
 SPRING WIRE : Phosphor Bronze 5100W temper wire,  $\phi=0.45\text{mm}$ , 6u" Gold over 100u" Nickel undercoat

## PHYSICAL CHARACTERISTICS

INSERTION LIFE : 750 MATING CYCLES WITH FCC COMPLIANT RJ-45 PLUG  
 CONTACT FORCE : 100 GRAMS WITH FCC COMPLIANT RJ-45 PLUG  
 PLUG RETENTION FORCE : 11 LBF MIN.  
 DURABILITY : 200 TERMINATION CYCLES  
 CONTACT COMPATIBILITY : ACCOMMODATES 22 TO 26 AWG SOLID / 24 AWG STRANDED  
 OPERATING TEMPERATURE RANGE :  $-10^{\circ}\text{C}$  TO  $60^{\circ}\text{C}$   
 STORAGE TEMPERATURE RANGE :  $-40^{\circ}\text{C}$  TO  $68^{\circ}\text{C}$   
 HUMIDITY : 10%~90%RH

## ELECTRICAL

INSULATION RESISTANCE : 500 M $\Omega$   
 DIELECTRIC WITHSTANDING VOLTAGE : 1000 V  
 DC CURRENT RATING : 1.5 Amps  
 DC RESISTANCE : 0.1 $\Omega$   
 CONTACT RESISTANCE : 20m $\Omega$



COMMUNICATION  
CIRCUIT ACCESSORIES

56Y4  
E145249



ACCORDING TO  
TIA/EIA-568-B-2

Cat 5e

Scale	2:1	All Copy Rights Reserved		
3rd Angle Projection		Tri-Net Technology, Inc. <small>Total Network Telesis U.S.A.</small>		
Unit	mm	Title		
Date	05/18/2009	080-88S-C5-M-R		
Tolerance				
~20	~150	150~	ANGLE	
$\pm 0.2$	$\pm 0.4$	$\pm 0.5$	$\pm 1.5$	$\pm 2^{\circ}$
			Drawn by	Checked by
			S. Niko	S. Niko