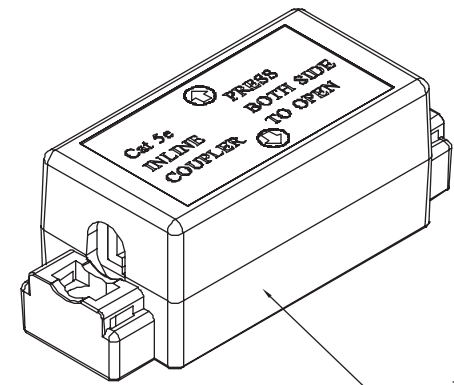
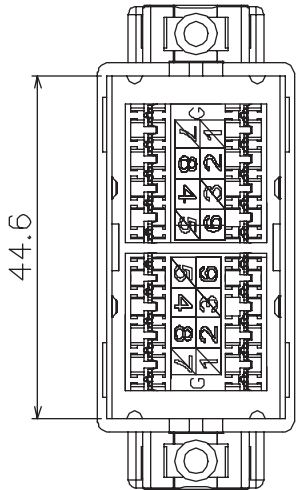
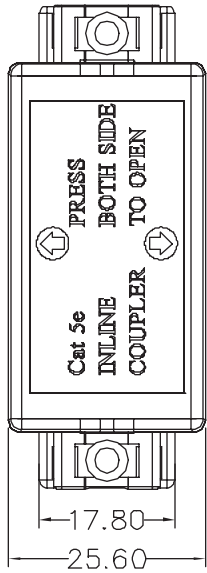
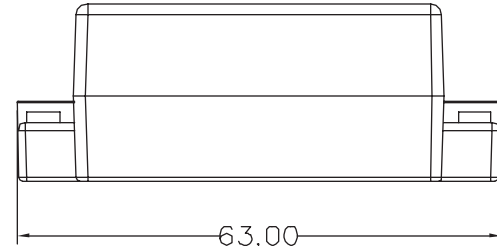
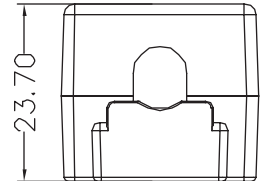


REVISIONS				
ZONE	REV	DESCRIPTION	DATE	APPROVED



Nickel Plating



MATERIALS: ABS UL94V-0
 ENCLOSURE: CABLE TIE X 2
 K2 3 X 16mm SCREW X 2
 TWIN ADHESIVE X 1(20 X 40mm)



COMMON TOLERANCE			SHEET 1 OF 1	ALL COPY RIGHTS RESERVED		
DIMENSION	CLASS	A B		SIZE A4	TNT Tri-Net Technology/USA	
	L<=3	±0.05	±0.1	UNIT: mm	TITLE	
	3<L<=6	±0.05	±0.1		080-110-4-SH	
	6<L<=16	±0.1	±0.15	SCALE:	DRAWING NO.	
	16<L<=30	±0.1	±0.2	DATE: 12.03.02		
	30<L<=120	±0.15	±0.3	DESIGN	DRAWN	CHECKED
	120<L<=315	±0.2	±0.5			