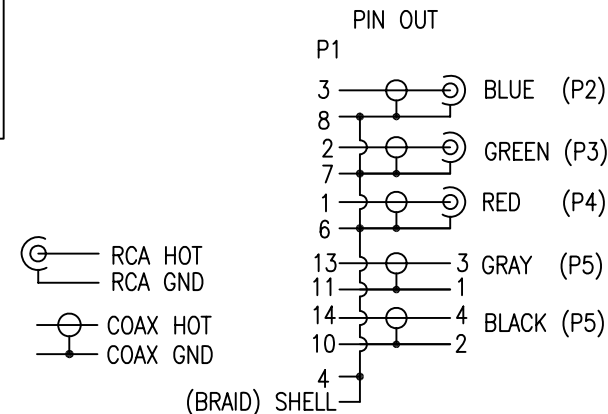


APPROVED BY _____
 COMPANY: _____
 PURCHASING/ENGINEER: _____
 DATE: _____



NOTE:

1. CABLE: (28AWG X 5 COAX, EACH COAX SPIRAL SHIELDED, UL1354, COLOR CODE: RED, GREEN, BLUE, GREY, BLACK), AL-FOIL AND BRAID SHIELDED WITH DRAIN, UL2919 + CUL IA FT1, BLACK PVC JACKET. $\varnothing 9.0 \pm 0.15 \text{mm}$.
2. CONNECTOR: P1: DIN 14P MALE, NICKEL PLATED CONTACTS AND SHELL, LOCKER TYPE. P2, P3, P4: RCA FEMALE: NICKEL PLATED CONTACTS AND SHELL, SOLDER TYPE. P5: MD4 FEMALE: NICKEL PLATED CONTACTS AND SHELL.
3. PLASTIC FACE PATE: 4 PORTS. WHITE PAINTED.
4. P1 SHIELDED: COPPER FOIL TAPE COVER PREMOLD AND 360° SOLDER TO CONNECTOR SHELL AND CABLE BRAID.
5. DIN 14P MOLDED 45P BLACK PVC, RCA FEMALE AND MD4 FEMALE MOLDED 25P WHITE(WH05) PVC.
6. TESTING: 100% ELECTRICAL TEST.
8. PACKING: EACH CABLE IN A BOX.
9. MOLD NO.: D14M-N01, D14M-O2, RCA-N06, RCA-O6, SR-O1.



A	INITIAL RELEASE		11/24/08	
REV	DESCRIPTION OF CHANGE		DATE	
TOLERANCE			Tri-Net Technology, Inc. http://www.trinetusa.com	
INCHES				
.X	.015	.30		
.XX	.010	.10		
M/M			SCALE	NONE
.XXX	.005	.05	UNIT	MM
DRAWN BY			SHEET	1/1
Carl			DATE	11/24/08
CHECK BY			DWG NO.	
APPD BY			TITLE	
			DIN 14/M TO 3RCA/F+MD4F+FACE PLATE	
			PART NO.	
			EZ04-MD4-FP	