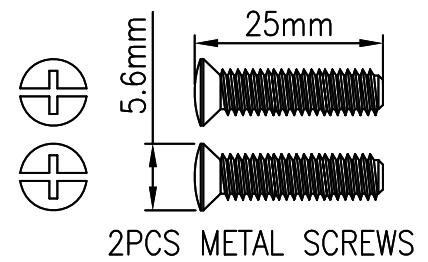
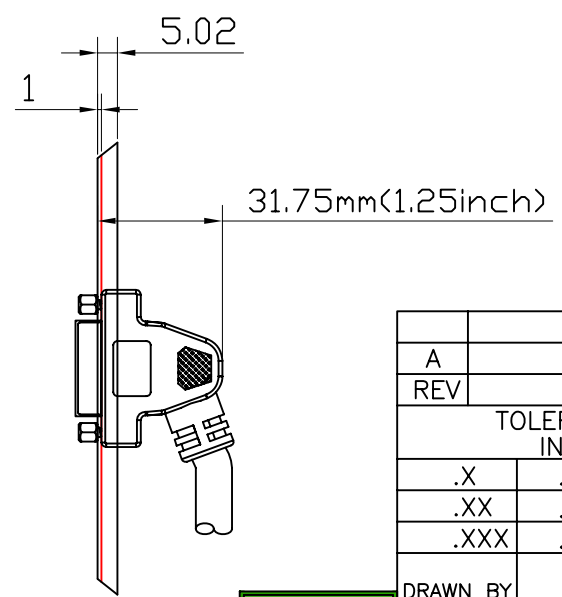
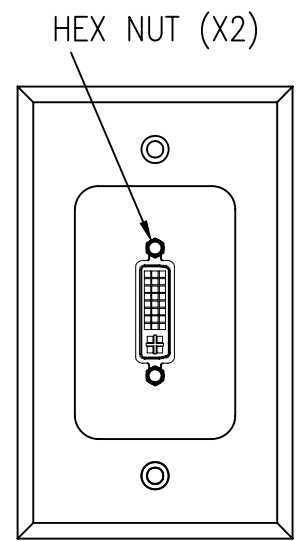
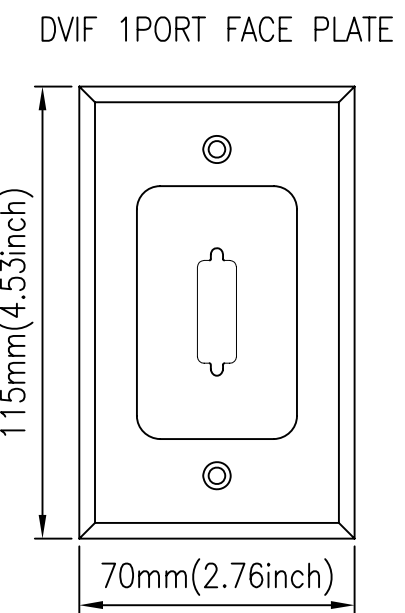
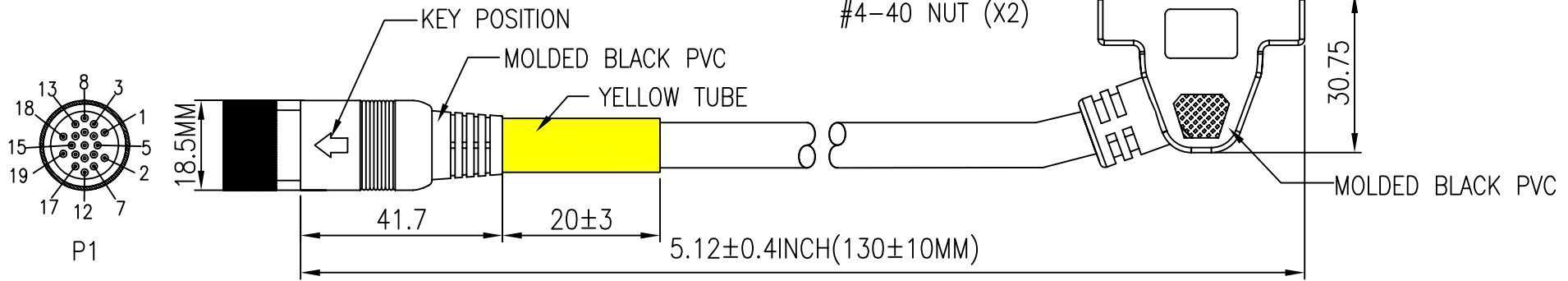
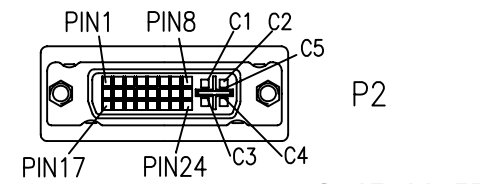


APPROVED BY _____
 COMPANY: _____
 PURCHASING/ENGINEER: _____
 DATE: _____



A	INITIAL RELEASE		11/24/08	
REV	DESCRIPTION OF CHANGE		DATE	
TOLERANCE INCHES M/M			Tri-Net Technology, Inc. http://www.trinetusa.com	
.X	.015	.30		
.XX	.010	.10		
.XXX	.005	.05	SCALE	NONE
DRAWN BY Carl			UNIT	MM
			SHEET	1/2
CHECK BY			DATE	11/24/08
			TITLE	
APPD BY			PART NO.	
			EZ04-DVID-FP	

WIRE CONNECTION

NOTE:

1. CABLE: UL20276 HDMI 1.3 CABLE, (28#*1P+D+MYLAR+AL)*4C+28#*1P+28#*5C
+AB JACKET: BLACK (TNT-BK) OD:6.5MM.
2. CONNECTOR: P1: DIN 19P MALE, SOLDER TYPE, TINNED PLATED CONTACTS,
INSULATION: BLACK, NICKEL PLATED SHELL, LOCKER TYPE.
P2: DVI 24+5 FEMALE, PIN: G/F, INSULATION WHITE, NICKEL PLATED SHELL.
WITH METAL HEX NUT.
3. METAL FACE PLATE: 1PORT, STAINLESS STEEL, WHITE PAINTED.
WITH 2PCS METAL SCREWS.
4. SHIELDED: COPPER FOIL TAPE COVER PREMOLD AND 360° SOLDER TO
CONNECTOR SHELL AND CABLE BRAID.
5. MOLDED 45P BLACK PVC.
6. TESTING: 100% ELECTRICAL TEST .
7. MOLD P/N: D14M-N01, D14M-O2.

P1	P2	COLOR
1	2	WHITE
3	1	BROWN
2	3	DRAIN
4	10	WHITE
6	9	RED
5	11	DRAIN
7	18	WHITE
9	17	GREEN
8	19	DRAIN
10	23	WHITE
12	24	BLUE
11	22	DRAIN
15	6	RED
16	7	WHITE
17	15	YELLOW
18	14	ORANGE
19	16	PURPLE
SHELL	SHELL	BRAID

APPROVED BY
COMPANY: _____
PURCHASING/ENGINEER: _____
DATE: _____



A	INITIAL RELEASE	11/24/08
REV	DESCRIPTION OF CHANGE	DATE
TOLERANCE INCHES M/M		Tri-Net Technology, Inc. http://www.trinetusa.com
.X	.015 .30	
.XX	.010 .10	
.XXX	.005 .05	
DRAWN BY	Carl	REV A
CHECK BY	TITLE	DWG NO.
APPD BY	PART NO.	DATE
		11/24/08
		DIN19M TO DVI24+5 F+FACE PLATE
		EZ04-DVID-FP