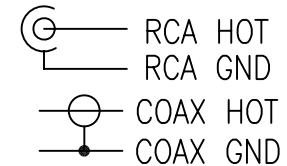
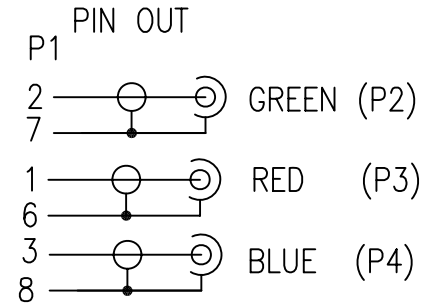


P/N	L(FT)	T(INCH)
EZ03-RWY-01	1	+1/-1
EZ03-RWY-03	3	+1/-1
EZ03-RWY-06	6	+2/-2
EZ03-RWY-10	10	+2/-2



NOTE:

- CABLE: UL2919 28AWG(7/0.127)*3COAX(OFC)+PAPER+JACKET.JACKET COLOR: BLACK MATT PVC AND OD=7.0±0.15MM.
- CONNECTOR: P1: DIN 14P MALE, NICKEL PLATED CONTACTS AND SHELL, LOCKER TYPE. P2, P3, P4: RCA MALE: NICKEL PLATED CONTACTS AND SHELL, SOLDER TYPE.
- SHIELDED: COPPER FOIL TAPE COVER PREMOLD AND 360° SOLDER TO CONNECTOR SHELL AND CABLE BRAID.
- P1:MOLDED ORANGE(OR02) PVC.RCA&SR:MOLDED BLACK PVC.
- TESTING: 100% ELECTRICAL TEST.
- PACKING: EACH CABLE IN A ZIP-LOCK POLY-BAG.
- MOLD NO.: D14M-N01, D14M-02, RCA-N02, RCA-02, RCA-CV.



A	INITIAL RELEASE		11/22/07			
REV	DESCRIPTION OF CHANGE		DATE			
TOLERANCE						
INCHES	M/M					
.X	.015	.30				
.XX	.010	.10				
.XXX	.005	.05	SCALE	NONE		
DRAWN BY	<i>LUCY</i>	UNIT	MM		REV	A
		SHEET	1/1		DWG NO.	
		DATE	11/22/07			
CHECK BY		TITLE	DIN 14/M TO 3RCA/M			
APPD BY		PART NO.	EZ03-RWY-XX			