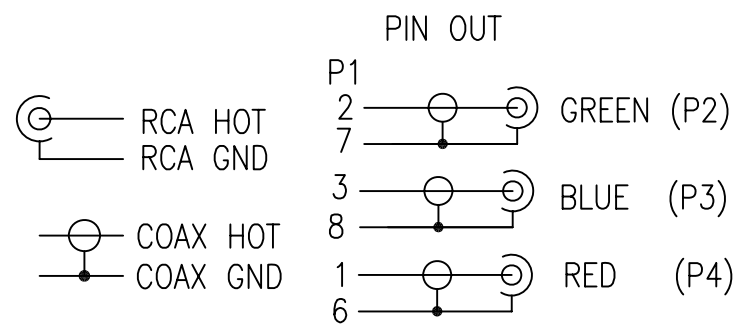


P/N	L(FT)	T(INCH)
EZ03-RGB-01	1	+1/-1
EZ03-RGB-03	3	+1/-1
EZ03-RGB-06	6	+2/-2
EZ03-RGB-10	10	+2/-2



- NOTE:
- CABLE: UL2919 28AWG(7/0.127)\*3COAX(OFC)+PAPER+JACKET.JACKET COLOR: BLACK MATT PVC AND OD=7.0±0.15MM.
  - CONNECTOR: P1: DIN 14P MALE, NICKEL PLATED CONTACTS AND SHELL, LOCKER TYPE. P2, P3, P4: RCA MALE: NICKEL PLATED CONTACTS AND SHELL, SOLDER TYPE.
  - SHIELDED: COPPER FOIL TAPE COVER PREMOLD AND 360° SOLDER TO CONNECTOR SHELL AND CABLE BRAID.
  - P1:MOLDED ORANGE(OR02) PVC.RCA AND SR:MOLDED BLACK PVC.
  - TESTING: 100% ELECTRICAL TEST.
  - PACKING: EACH CABLE IN A ZIP-LOCK POLY-BAG.
  - MOLD NO.: D14M-N01, D14M-02, RCA-N02, RCA-02, RCA-CV.



A	INITIAL RELEASE		11/22/07	
REV	DESCRIPTION OF CHANGE		DATE	
TOLERANCE INCHES			Tri-Net Technology, Inc. <a href="http://www.trinetusa.com">http://www.trinetusa.com</a>	
.X	.015	.30		
.XX	.010	.10		
.XXX	.005	.05	SCALE	NONE
DRAWN BY <i>LUCY</i>			UNIT	MM
			SHEET	1/1
CHECK BY			DATE	11/22/07
			DWG NO.	
APPD BY			TITLE	
			DIN 14/M TO 3RCA/M	
PART NO.			REV	
			A	
EZ03-RGB-XX			DWG NO.	