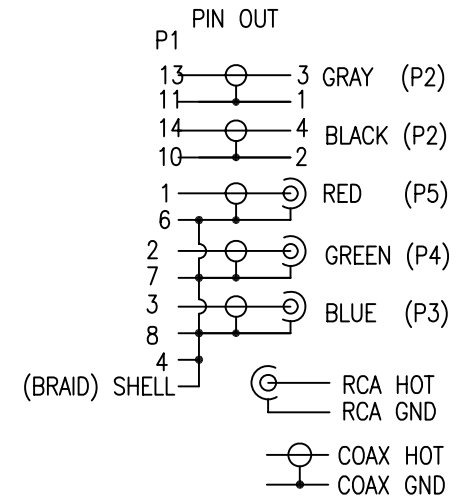


P/N	L(FT)	T(INCH)
EZ03-MD4-01	1	+1/-1
EZ03-MD4-03	3	+1/-1
EZ03-MD4-06	6	+2/-2
EZ03-MD4-10	10	+2/-2



NOTE:

- CABLE: (28AWG X 5 COAX, EACH COAX SPIRAL SHIELDED, UL1354, COLOR CODE: RED, GREEN, BLUE, GREY, BLACK), AL-FOIL AND BRAID(85%) SHIELDED WITH DRAIN, UL2919 + CUL IA FT1, BLACK PVC JACKET. $\varnothing 9.0 \pm 0.15\text{mm}$.
- CONNECTOR: P1: DIN 14P MALE, NICKEL PLATED CONTACTS AND SHELL, LOCKER TYPE. P2: MD4 MALE: NICKEL PLATED CONTACTS AND SHELL. P3, P4, P5: RCA MALE: NICKEL PLATED CONTACTS AND SHELL.
- SHIELDED: COPPER FOIL TAPE COVER PREMOLD AND 360° SOLDER TO CONNECTOR SHELL AND CABLE BRAID.
- P1:MOLDED ORANGE(OR02) PVC.P2:MOLDED BLACK PVC.
- TESTING: 100% ELECTRICAL TEST.
- PACKING: EACH CABLE IN A ZIP-LOCK POLY-BAG.
- MOLD NO.: D14M-N01, D14M-02, RCA-N02, RCA-02, MD6M-N01, MD6M-01, SR-01.



A		INITIAL RELEASE		11/06/07	
REV		DESCRIPTION OF CHANGE		DATE	
TOLERANCE INCHES M/M			Tri-Net Technology, Inc. TNT http://www.trinetusa.com		
.X	.015	.30	SCALE	NONE	REV A
.XX	.010	.10	UNIT	MM	
.XXX	.005	.05	SHEET	1/1	
DRAWN BY	Walt		DATE	11/06/07	DWG NO.
CHECK BY			TITLE DIN14F TO 3RCAM+MD4M		
APPD BY			PART NO. EZ03-MD4-XX		