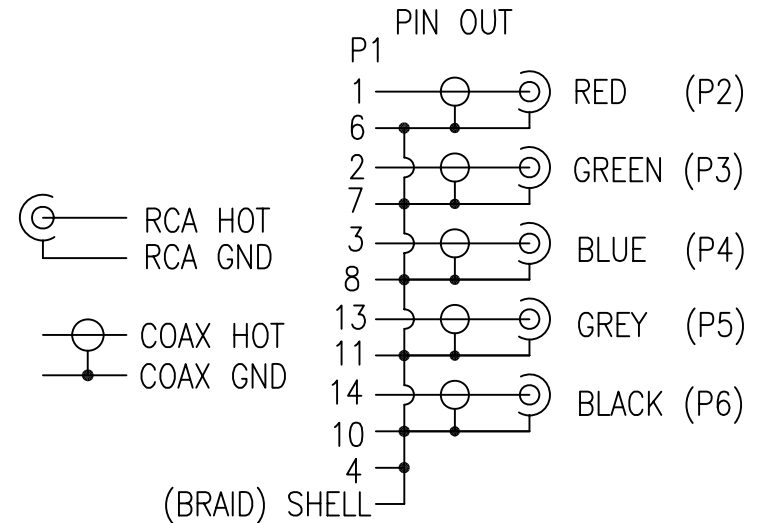



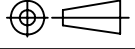
P/N	L(FT)	T(INCH)
EZ03-5RCA-01	1	+1/-1
EZ03-5RCA-03	3	+1/-1
EZ03-5RCA-06	6	+2/-2
EZ03-5RCA-10	10	+2/-2



NOTE:

- CABLE: (28AWG X 5 COAX, EACH COAX SPIRAL SHIELDED, UL1354, COLOR CODE: RED, GREEN, BLUE, GREY, BLACK), AL-FOIL AND BRAID(85%) SHIELDED WITH DRAIN, UL2919 + CUL IA FT1, BLACK PVC JACKET. $\phi 9.0 \pm 0.15$ mm.
- CONNECTOR: P1: DIN 14P MALE, NICKEL PLATED CONTACTS AND SHELL, LOCKER TYPE. P2, P3, P4, P5, P6: RCA MALE: NICKEL PLATED CONTACTS AND SHELL, SOLDER TYPE.
- SHIELDED: COPPER FOIL TAPE COVER PREMOLD AND 360° SOLDER TO CONNECTOR SHELL AND CABLE BRAID.
- P1: MOLDED ORANGE(OR02) PVC.SR AND P2: MOLDED BLACK PVC.
- TESTING: 100% ELECTRICAL TEST.
- PACKING: EACH CABLE IN A ZIP-LOCK POLY-BAG.
- MOLD NO.: D14M-N01, D14M-02, RCA-N02, RCA-02,SR-01.



A		INITIAL RELEASE		11/22/07	
REV		DESCRIPTION OF CHANGE		DATE	
		TOLERANCE		Tri-Net Technology, Inc.	
		INCHES M/M		 http://www.trinetusa.com	
.X		.015 .30		SCALE NONE	
.XX		.010 .10		UNIT MM	
.XXX		.005 .05		 REV A	
DRAWN BY		Walt		SHEET 1/1 DWG NO.	
				DATE 11/22/07	
CHECK BY		TITLE DIN14M TO 5RCAM			
APPD BY		PART NO. EZ03-5RCA-XX			