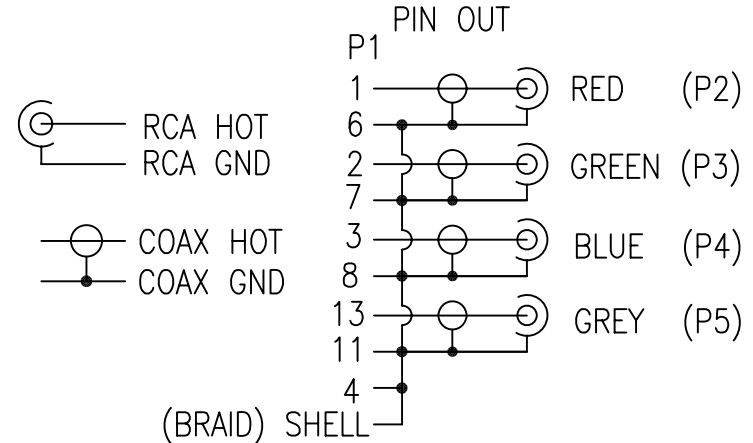


P/N	L(FT)	T(INCH)
EZ03-4RCA-01	1	+1/-1
EZ03-4RCA-03	3	+1/-1
EZ03-4RCA-06	6	+2/-2
EZ03-4RCA-10	10	+2/-2



NOTE:

- CABLE: (28AWG X 5 COAX, EACH COAX SPIRAL SHIELDED, UL1354, COLOR CODE: RED, GREEN, BLUE, GREY, BLACK), AL-FOIL AND BRAID SHIELDED WITH DRAIN, UL2919 + CUL IA FT1, BLACK PVC JACKET. $\phi 9.0 \pm 0.15\text{mm}$.
- CONNECTOR: P1: DIN 14P MALE, NICKEL PLATED CONTACTS AND SHELL, LOCKER TYPE. P2, P3, P4, P5: RCA MALE: NICKEL PLATED CONTACTS AND SHELL, SOLDER TYPE.
- SHIELDED: COPPER FOIL TAPE COVER PREMOLD AND 360° SOLDER TO CONNECTOR SHELL AND CABLE BRAID.
- P1: MOLDED ORANGE(OR02) PVC.SR AND P2: MOLDED BLACK PVC.
- TESTING: 100% ELECTRICAL TEST.
- PACKING: EACH CABLE IN A ZIP-LOCK POLY-BAG.
- MOLD NO.: D14M-N01, D14M-02, RCA-N02, RCA-02, RCA-CV,SR-01.



A	INITIAL RELEASE		11/22/07	
REV	DESCRIPTION OF CHANGE		DATE	
TOLERANCE		Tri-Net Technology, Inc.		
INCHES M/M		http://www.trinetusa.com		
.X	.015	.30	SCALE	NONE
.XX	.010	.10	UNIT	MM
.XXX	.005	.05		
DRAWN BY	lucy		SHEET	1/1
			DATE	11/22/07
CHECK BY			TITLE	
			DIN14M TO 4RCA M	
APPD BY			PART NO.	
			EZ03-4RCA-XX	