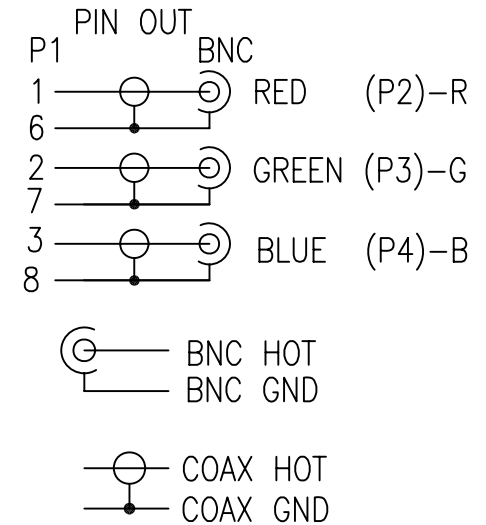


P/N	L(FT)	T(INCH)
EZ03-3BNC-01	1	+1/-1
EZ03-3BNC-03	3	+1/-1
EZ03-3BNC-06	6	+2/-2
EZ03-3BNC-10	10	+2/-2



NOTE:

- CABLE: UL2919 28AWG(7/0.127)*3COAX(OFC)+PAPER+JACKET.JACKET COLOR: BLACK MATT PVC AND OD=7.0±0.15MM.
- CONNECTOR: P1: DIN 14P MALE, NICKEL PLATED CONTACTS AND SHELL, LOCKER TYPE. P2, P3, P4: BNC MALE: GOLD FLASH CONTACTS, 75 OHM.
- SHIELDED: COPPER FOIL TAPE COVER PREMOLD AND 360° SOLDER TO CONNECTOR SHELL AND CABLE BRAID.
- P1:MOLDED ORANGE(OR02) PVC.SR AND P2:MOLDED BLACK PVC.
- TESTING: 100% ELECTRICAL TEST.
- PACKING: EACH CABLE IN A ZIP-LOCK POLY-BAG.
- MOLD NO.: D14M-N01, D14M-02, BNC-01, SR-11.



A	INITIAL RELEASE		11/22/07	
REV	DESCRIPTION OF CHANGE		DATE	
TOLERANCE		Tri-Net Technology, Inc.		
INCHES M/M		http://www.trinetusa.com		
.X	.015	.30	SCALE	NONE
.XX	.010	.10	UNIT	MM
.XXX	.005	.05	SHEET	1/1
DRAWN BY		Walt	DATE	11/22/07
CHECK BY			DWG NO.	
APPD BY			TITLE	
			DIN14M TO 3BNM	
			PART NO.	
			EZ03-3BNC-XX	