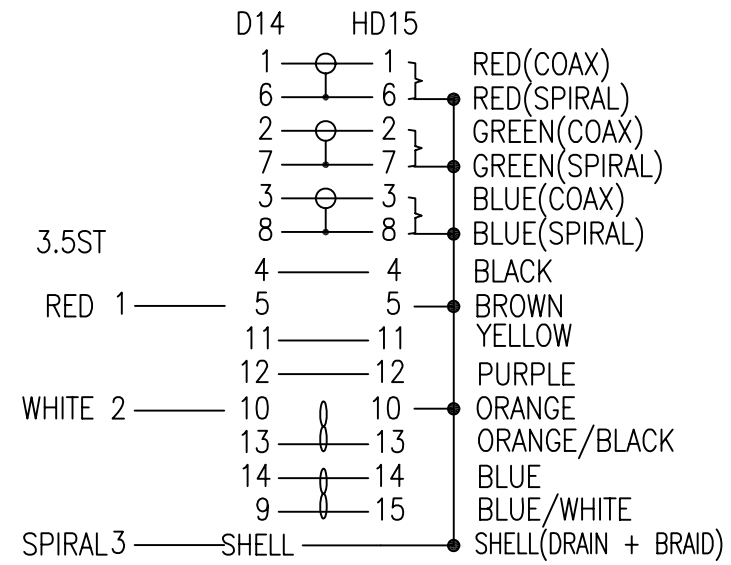


P/N	L(FT)	T(INCH)
EZ03-35M-01	1	+1/-1
EZ03-35M-03	3	+1/-1
EZ03-35M-06	6	+2/-2
EZ03-35M-10	10	+2/-2



NOTE:

- CABLE1: [(28AWG X 3COAX, EACH COAX SPIRAL SHIELDED, 75Ω, UL1354) + (24AWG X 4C) + (24AWG X 2PAIRS)], AL-FOIL AND BRAID SHIELDED WITH DRAIN WIRE, UL2919, BLACK PVC JACKET, SLOT $\varnothing 8.5 \pm 0.15$ mm.
- CABLE2: NON UL, 26AWG*2C+SPIRAL SHIELD, BLACK PVC JACK, $\varnothing 3.0 \pm 0.15$ mm.
- CONNECTOR:
 P1: DIN 14P MALE, NICKEL PLATED CONTACTS AND SHELL, LOCKER TYPE.
 P2: HIGH DENSITY D-SUB 15PIN MALE: SOLDER TYPE, GOLD FLASH CONTACTS, NICKEL PLATED SHELL.
 P3: DC3.5mm STEREO PLUG, NICKEL PLATED SHELL.
- SHIELDED: COPPER FOIL TAPE COVER PREMOLD AND 360° SOLDER TO CONNECTOR SHELL AND CABLE BRAID.
- P1:MOLDED GREEN(GN02) PVC.P2&P3:MOLDED BLACK PVC.
- TESTING: 100% ELECTRICAL TEST .

A		INITIAL RELEASE		11/22/07	
REV		DESCRIPTION OF CHANGE		DATE	
TOLERANCE		INCHES		M/M	
.X	.015	.30	Tri-Net Technology, Inc. http://www.trinetusa.com		
.XX	.010	.10	SCALE	NONE	REV A
.XXX	.005	.05	UNIT	MM	
DRAWN BY	lucy		SHEET	1/1	DWG NO.
CHECK BY			DATE	11/22/07	
APPD BY			TITLE	DIN14F TO HDB15M+3.5STEREO PLUG	
			PART NO.	EZ03-35M-XX	

