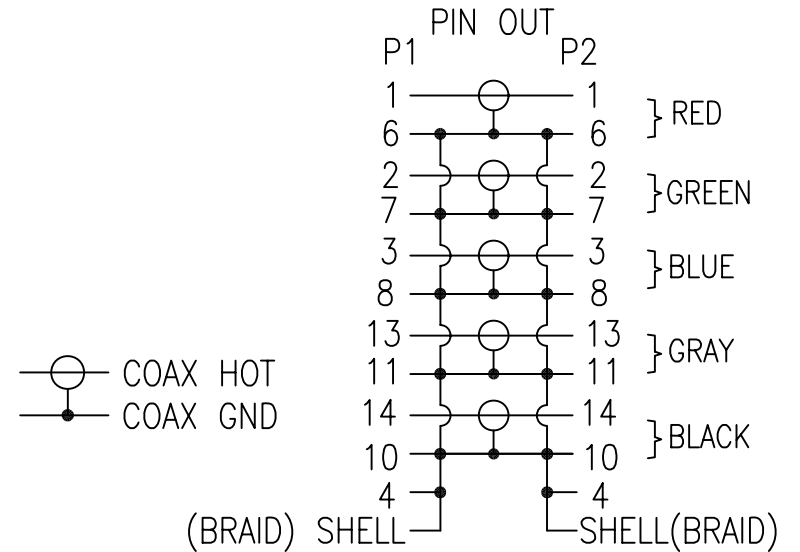


P/N	FT	T(INCH)
EZ01-B-15	15	+6/-2
EZ01-B-25	25	+6/-2
EZ01-B-35	35	+6/-2
EZ01-B-50	50	+6/-2
EZ01-B-75	75	+12/-6
EZ01-B-100	100	+12/-6
EZ01-B-125	125	+12/-6
EZ01-B-150	150	+12/-6

NOTE:

- CABLE: (28AWG X 5 COAX, EACH COAX SPIRAL SHIELDED, UL1354, COLOR CODE: RED, GREEN, BLUE, GREY, BLACK), AL-FOIL AND BRAID SHIELDED WITH DRAIN, UL2919 + CUL IA FT1, BLACK PVC JACKET. $\phi 9.0 \pm 0.15$ mm.
- CONNECTOR: P1 & P2: DIN 14P FEMALE, NICKEL PLATED CONTACTS AND SHELL,
- SHIELDED: COPPER FOIL TAPE COVER PREMOLD AND 360° SOLDER TO CONNECTOR SHELL AND CABLE BRAID.
- DIN CAP: BRASS, NICKEL PLATED.
- ALL HOOD: MOLDED ORANGE(OR02) PVC.
- TESTING: 100% ELECTRICAL TEST .
- PACKING: EACH CABLE IN A ZIP-LOCK POLY-BAG.
- MOLD NO.: D14F-N01, D14F-01.



A	INITIAL RELEASE		11/22/07	
REV	DESCRIPTION OF CHANGE		DATE	
TOLERANCE		Tri-Net Technology, Inc. http://www.trinetusa.com		
.X	.015	M/M	SCALE	NONE
.XX	.010	.10	UNIT	MM
.XXX	.005	.05	REV	A
DRAWN BY	LUCY		SHEET	1/1
			DATE	11/22/07
CHECK BY			TITLE DIN 14/F TO DIN 14/F	
APPD BY			PART NO. EZ01-B-XX	