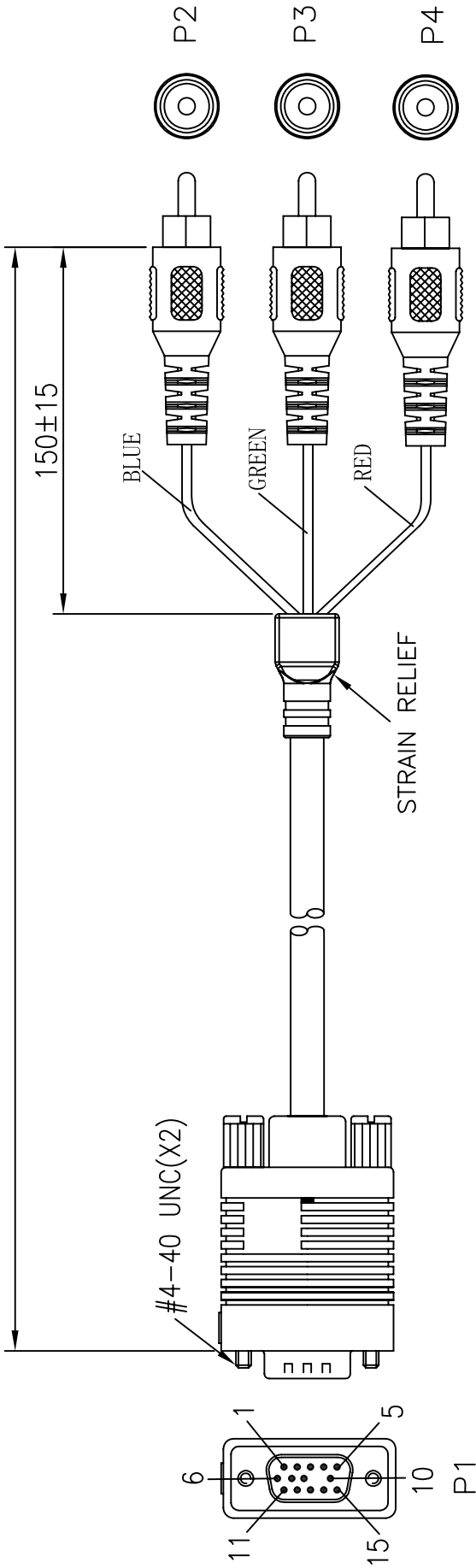
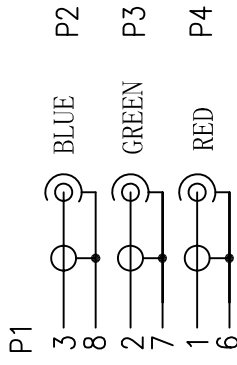


LENGTH IN METER

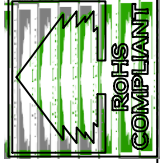


PIN OUT



NOTE:

1. CABLE: UL2919 28AWG(7/0.127)*3COAX(OFC)+PAPER+JACKET.JACKET COLOR: BLACK MATT PVC AND OD=7.0±0.15MM.
2. CONNECTOR: P1: HIGH DENSITY D-SUB 15PIN MALE: SOLDER TYPE, GOLD FLASH CONTACTS, 9PIN UNLOADED,PBT BLACK.GOLD PLATED SHELL. P2,P3,P4:RCA MALE,INSULATION:WHITE,SHELL:GOLD PLATED.
3. THUMB SCREW TO MOLDED 25P BLACK #4-40UNC 4.0*H40.5mm.
4. STRAIN RELIEF,P1:MOLDING 45P BLACK PVC.
5. MOLDING 90P PVC.P2:BLUE,P3:GREEN,P4:RED.
6. PACKING: EACH CABLE IN A ZIP-LOCK POLY-BAG.
7. MOLDED NO: HD15-01, HD15M-N01, RCA-01,SR-11.



REV	A	INITIAL RELEASE	12/06/07
REV		DESCRIPTION OF CHANGE	DATE
TOLERANCE		Tri-Net Technology, Inc. http://www.trinetusa.com	
INCHES	M/M	SCALE	NONE
.X	.30	UNIT	MM
.XX	.10	SHEET	1/1
.XXX	.05	DATE	12/06/07
DRAWN BY	Carl	TITLE	HD15M TO 3RCA/M
CHECK BY		PART NO.	C32-HD15M-3RM-XX
APPD BY			