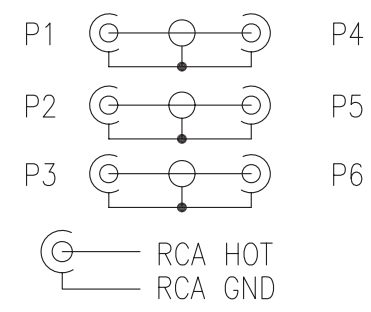
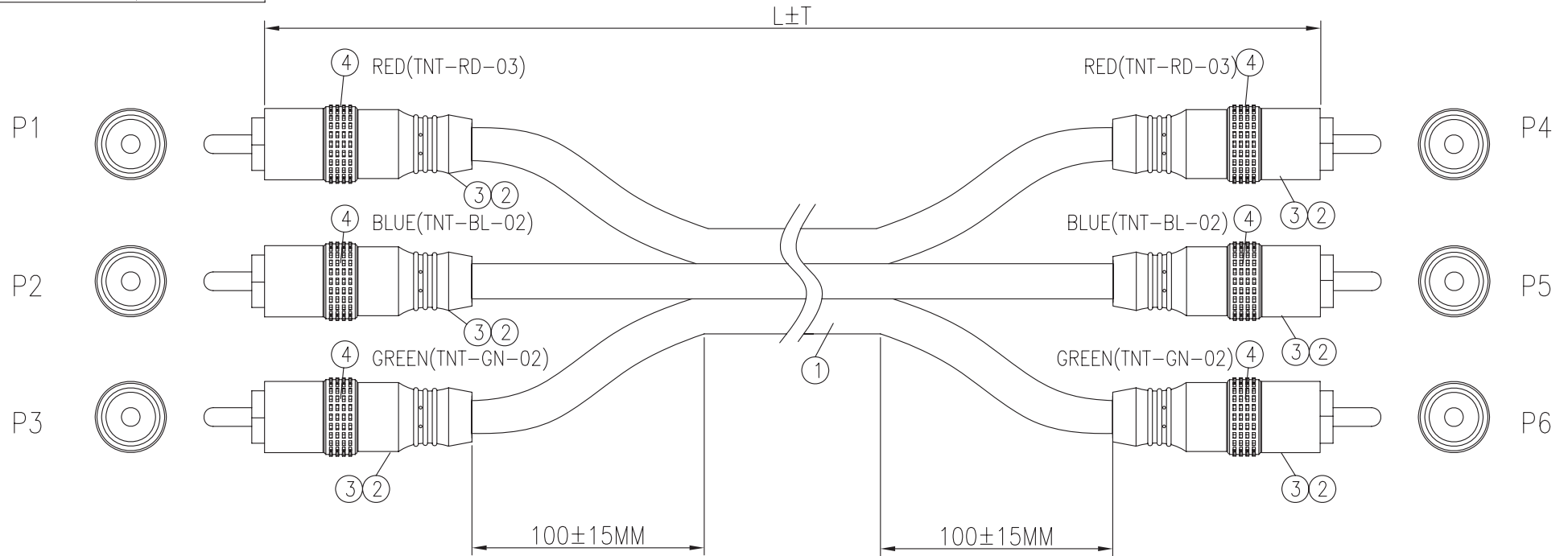


CUSTOMER:TNT/USA



P/N	FT	L	T
C30-3RM-RGB-03	3	914mm	±30mm
C30-3RM-RGB-06	6	1829mm	±51mm
C30-3RM-RGB-12	12	3657mm	+152/-51mm

NOTE:

- ① NOU-UL [1C*26AWG(13/0.12)+AL/MY+SPIRAL+PVC JACKET BLACK(TNT-BK)]*3F
OD=6.0*6.0*6.0±0.15MM
- ② P1 & P2 & P3 & P4 & P5 & P6 RCA PLUG,SHELL GOLD PLATED 3u", INSULATION WHITE.
- ③ MOLD 45P PVC BLACK(TNT-BK).
- ④ COLOR RING:60P PVC.
- 5. 100% ELECTRICAL TESTING.
- 6. MOLD NO:TNT-RCA-02.



TOLERANCE		M/M		TNT Tri-Net Technology, Inc.				
INCHES				http://www.trinetusa.com				
.X	.015	.30		SCALE	NONE		REV	A
.XX	.010	.10		UNIT	MM			
.XXX	.005	.05		SHEET	1/2	DWG NO.	TNT-S101-0153	
DRAWN BY	WENDI			DATE	05/12/05			
CHECK BY				TITLE	VIDEO CABLE 3RCA TO 3RCA			
APPD BY				PART NO.	C30-3RM-RGB-XX			