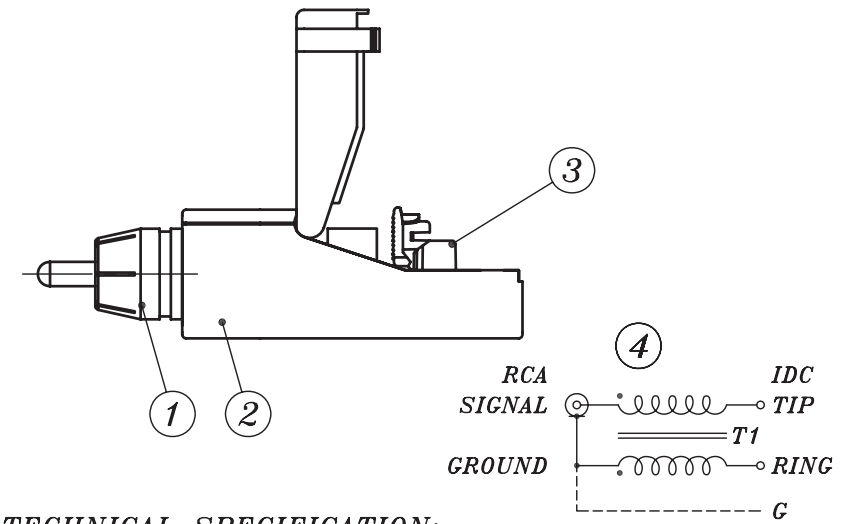
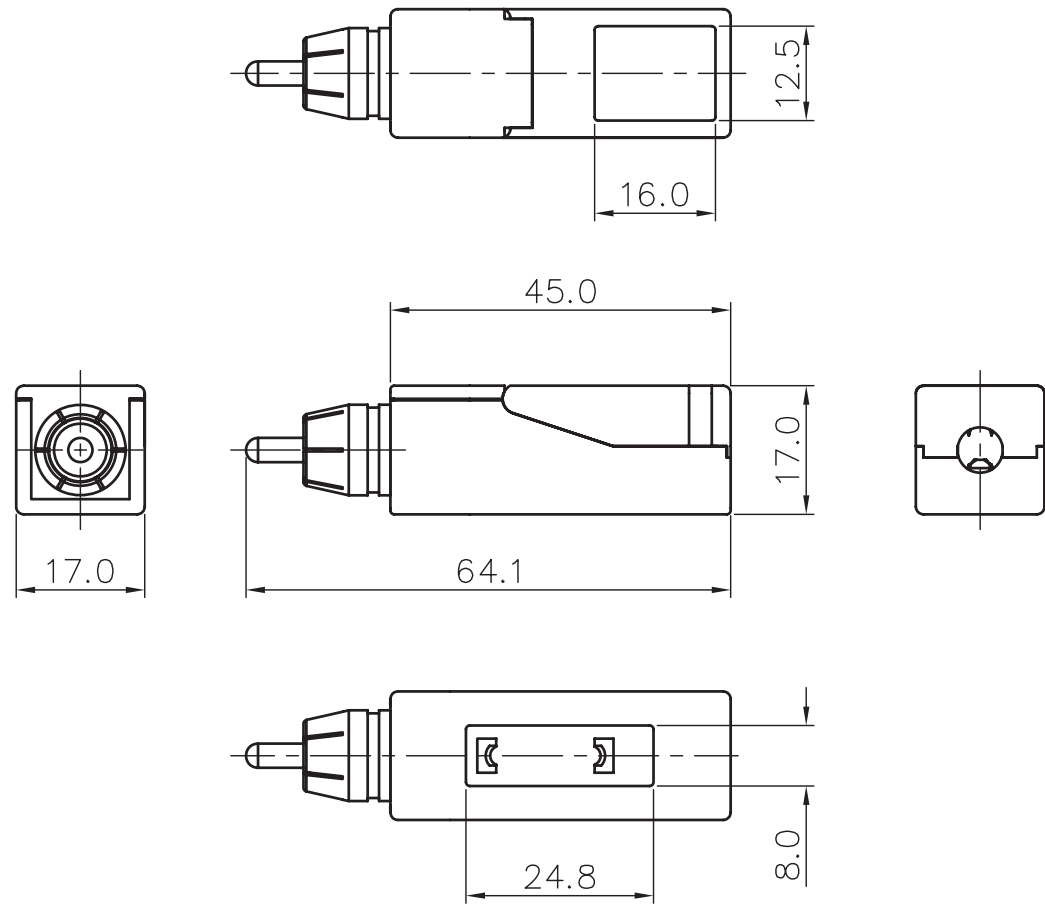


REV.	DESCRIPTION	DATE	APPROVED



TECHNICAL SPECIFICATION:
TRANSMISSION BANDWIDTH DC TO 8MH_z
TRANSMISSION DISTANCE 680M (COLOR : CAT 5)MAX.
780M (MONOCHROME : CAT 5)MAX.
INSERTION LOSS < 2dB
SIGNAL RETURN LOSS ≥ -15dB
COMMON MODE REJECTION ≥ -40dB
MAXIMUM INPUT 1.0V_{p-p} TYP.
* NO CONNECTED EXCEPT BEING SPECIFIED BY CUSTOMER



UNLESS OTHERWISE SPECIFIED TOLERANCE ARE: FRACTIONS DECIMALS ANGLES X ±0.1 ° ±0.5 .XX ±0.05				CONTRACT NO.		Tri-Net Technology, Inc.					
4	PCB SET WITH 1 TRANSFORMER			1	APPROVALS	DATE	CCTV VIDEO BALUN				
3	TOOLLESS IDC	PBT (UL94V-0)		1	DRAWN	MAO	95.10.27	RCA MALE TO TOOLLESS IDC			
2	PLASTIC SET (TOP,BOTTOM&SIDE COVER)	ABS (UL94V-0)		1	CHECKED			SIZE	FSCH NO.	PART NO.	REV.
1	RCA MALE SOLDER TYPE	BRASS FINISH NICKEL		1	ISSUED			A4		M03-RM-110	
NO	DESCRIPTION	MATERIAL	REMARK	Q'TY	DO NOT SCALE DWG.		UNIT	SCALE		SHEET OF	
							mm	1 : 1			