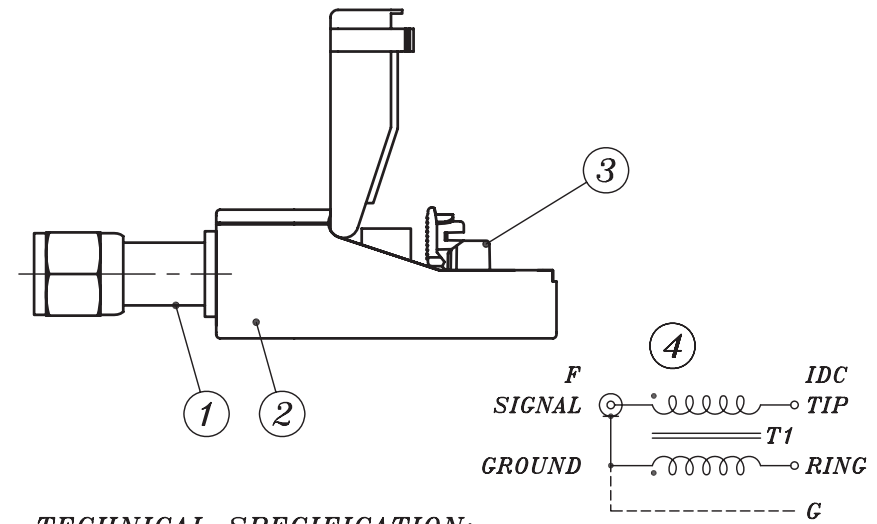
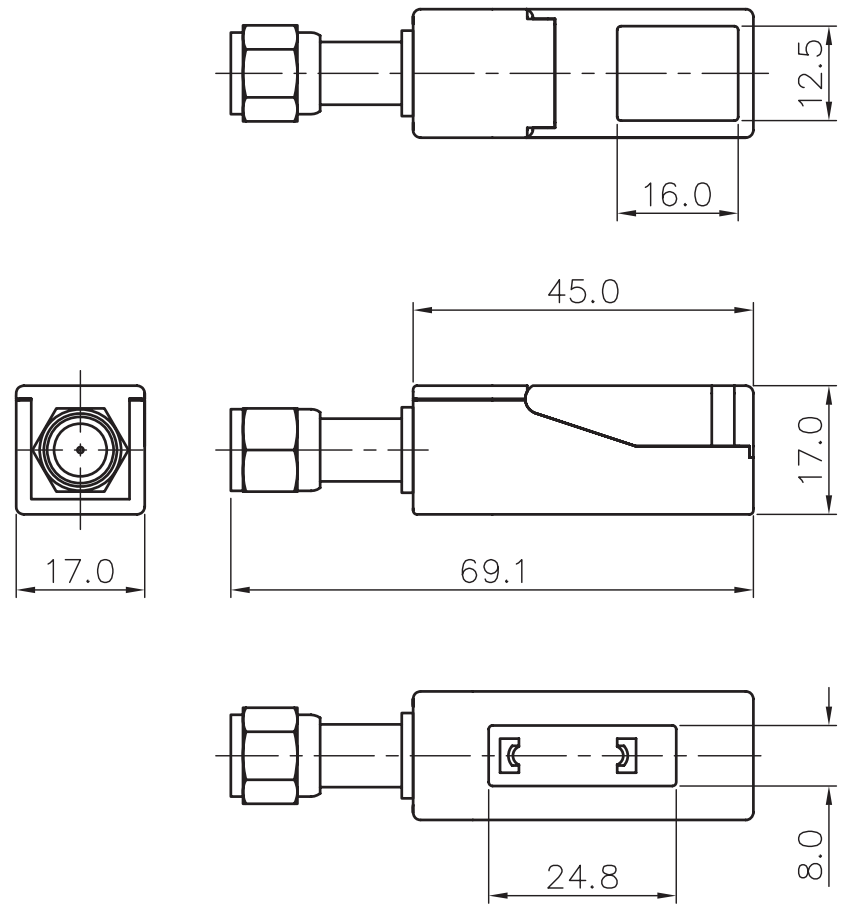


REV.	DESCRIPTION	DATE	APPROVED



TECHNICAL SPECIFICATION:
 TRANSMISSION BANDWIDTH DC TO 8MHz
 TRANSMISSION DISTANCE 680M (COLOR : CAT 5)MAX.
 780M (MONOCHROME : CAT 5)MAX.
 INSERTION LOSS < 2dB
 SIGNAL RETURN LOSS ≥ -15dB
 COMMON MODE REJECTION ≥ -40dB
 MAXIMUM INPUT 1.0Vp-p TYP.
 * NO CONNECTED EXCEPT BEING SPECIFIED BY CUSTOMER



UNLESS OTHERWISE SPECIFIED TOLERANCE ARE: FRACTIONS DECIMALS ANGLES X ±0.1 ±0.5° .XX ±0.05				CONTRACT NO.		Tri-Net Technology, Inc.				
4	PCB SET WITH 1 TRANSFORMER			1	APPROVALS	DATE	CCTV VIDEO BALUN			
3	TOOLLESS IDC	PBT (UL94V-0)		1	DRAWN	95.10.27	F MALE TO TOOLLESS IDC			
2	PLASTIC SET (TOP,BOTTOM&SIDE COVER)	ABS (UL94V-0)		1	CHECKED		SIZE	FSCH NO.	PART NO.	REV.
1	F MALE SOLDER TYPE	BRASS FINISH NICKEL		1	ISSUED		A4		M03-FM-110	
NO	DESCRIPTION	MATERIAL	REMARK	Q'TY	DO NOT SCALE DWG.		UNIT	SCALE	SHEET OF	
							mm	1 : 1		