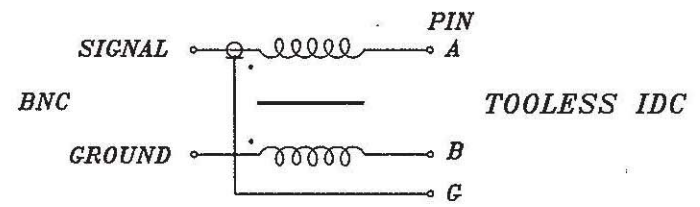
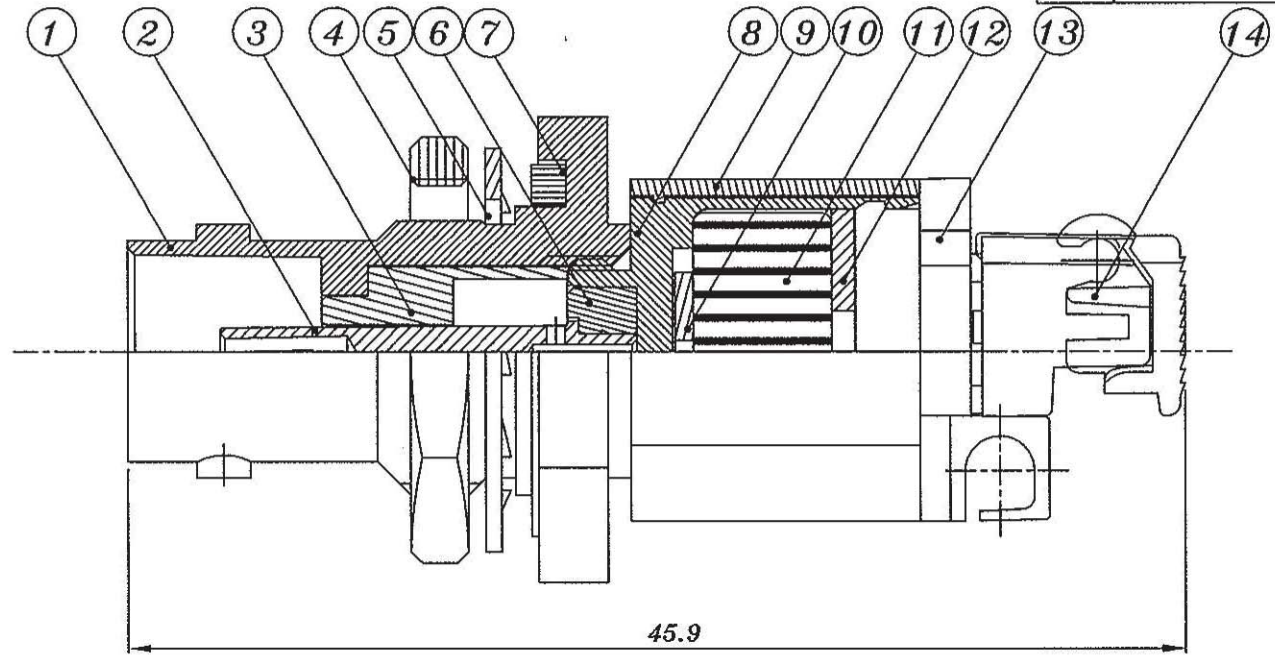


REV.	DESCRIPTION	DATE	APPROVED
------	-------------	------	----------



TECHNICAL SPECIFICATION:

TRANSMISSION BANDWIDTH DC (50Hz) TO 8MHz
 TRANSMISSION DISTANCE 680 METRES (Color: Cat.5) MIN.
 780 METRES (Monochrome: Cat.5) MIN.
 INSERTION LOSS < 2dB
 SIGNAL RETURN LOSS ≥ 15dB
 COMMON MODE REJECTION ≥ 40dB @ 8MHz
 MAXIMUM INPUT 1.1Vp-p


NO	DESCRIPTION	MATERIAL	Q'TY	FINISH
14	IDC SET	PC+10%G.F(UL94V-0)	1	
13	BALUN REAR CAP	PBT(UL94V-0)	1	
12	WASHER	BRASS	1	NICKEL(80u"-100u")
11	BALUN CORE	FERRITE(1 : 1.15)	1	
10	INSULATOR WASHER	PBT+15%G.F(UL94V-0)	1	
9	PLASTIC HOUSING	ABS(UL94V-0)	1	
8	BODY	BRASS	1	NICKEL(100u"-150u")
7	WASHER PROOF	SILICONE RUBBER	1	
6	INSULATOR	TEFLON(400C)	1	
5	WASHER	BRASS	1	NICKEL(80u"-100u")
4	FIX NUT	BRASS	1	NICKEL(80u"-100u")
3	INSULATOR	TEFLON(400C)	1	
2	CENTER CONTACT	PHOSPHOR	1	GOLD(2u"-3u")
1	CONNECTOR BODY	BRASS	1	NICKEL(100u"-150u")

UNLESS OTHERWISE SPECIFIED
 DIMENSIONS ARE IN INCHES mm
 TOLERANCE ARE:
 FRACTIONS DECIMALS ANGLES
 X ±0.1
 XX ±0.05

MATERIAL

FINISH

DO NOT SCALE DWG.

CONTRACT NO.		 Tri-Net Technology, Inc.	
APPROVALS	DATE		
DRAWN	CHUNG	01/24 '06	VIDEO BALUN (75 Ω : 100 Ω) BNC FEMALE BULKHEAD TO TOOLESS IDC
CHECKED			SIZE A4 FSC# NO. PART NO. M03-BF-110
ISSUED			SCALE 3 : 1 SHEET OF