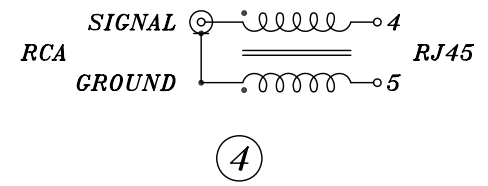
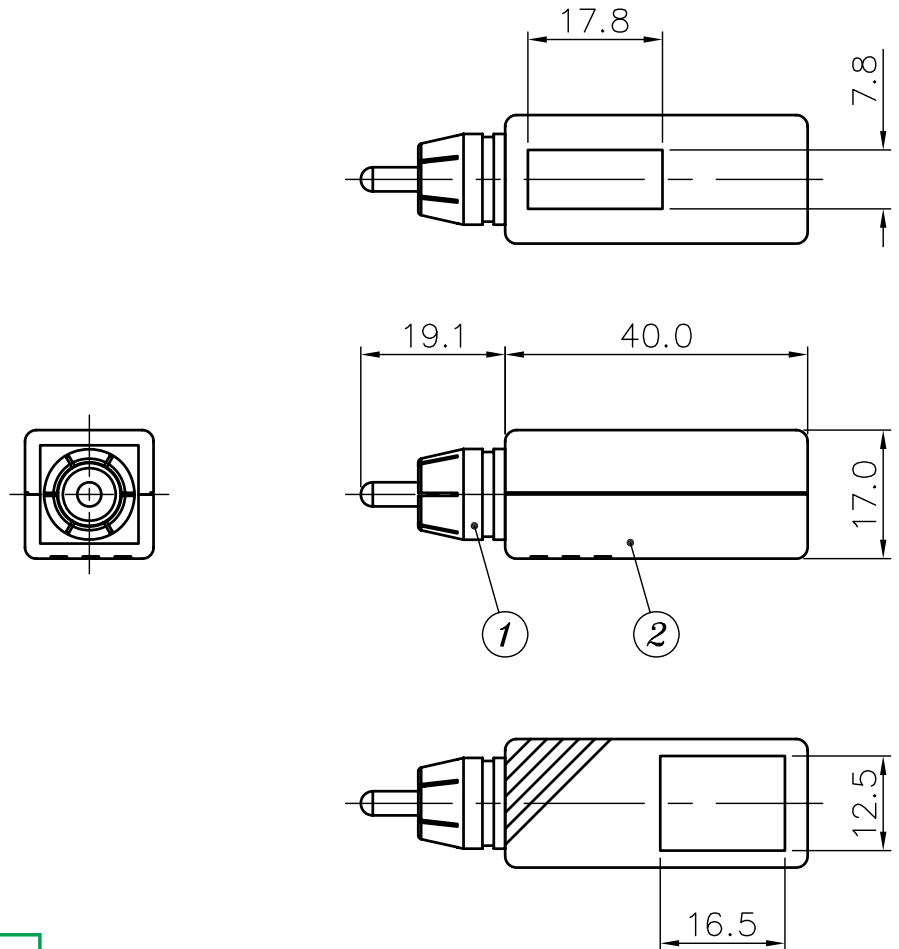


REV.	DESCRIPTION	DATE	APPROVED



**TECHNICAL SPECIFICATION:**

**TRANSMISSION BANDWIDTH** DC TO 8MH<sub>z</sub>  
**TRANSMISSION DISTANCE** 680M (COLOR : CAT 5)MAX.  
 780M (MONOCHROME : CAT 5)MAX.  
**INSERTION LOSS** < 2dB  
**SIGNAL RETURN LOSS** ≥ -15dB  
**COMMON MODE REJECTION** ≥ -40dB  
**MAXIMUM INPUT** 1.0V<sub>p-p</sub> TYP.



NO	DESCRIPTION	MATERIAL	REMARK	Q'TY	UNLESS OTHERWISE SPECIFIED TOLERANCE ARE: FRACTIONS DECIMALS ANGLES .X ±0.1 ±0.5° .XX ±0.05	CONTRACT NO.				
4	PCB SET WITH 1 TRANSFORMER			1			APPROVALS	DATE	CCTV VIDEO BALUN	
3	PCB TYPE RJ45 JACK	PBT(UL94V-0)		1	MATERIAL		DRAWN MAO	95.10.27	RCA MALE TO RJ45 JACK	
2	PLASTIC SET (TOP,BOTTOM & SIDE COVER)	ABS(UL94V-0)		1	FINISH		CHECKED		SIZE A4	FSCH NO.
1	RCA MALE SOLDER TYPE	BRASS FINISH GOLD		1			ISSUED		PART NO. M02-RM-RJ45	REV.
					DO NOT SCALE DWG.		SCALE 1 : 1		SHEET	OF