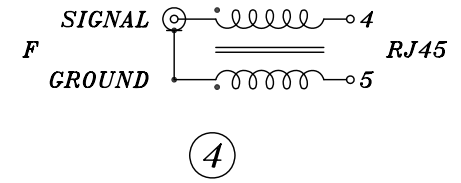
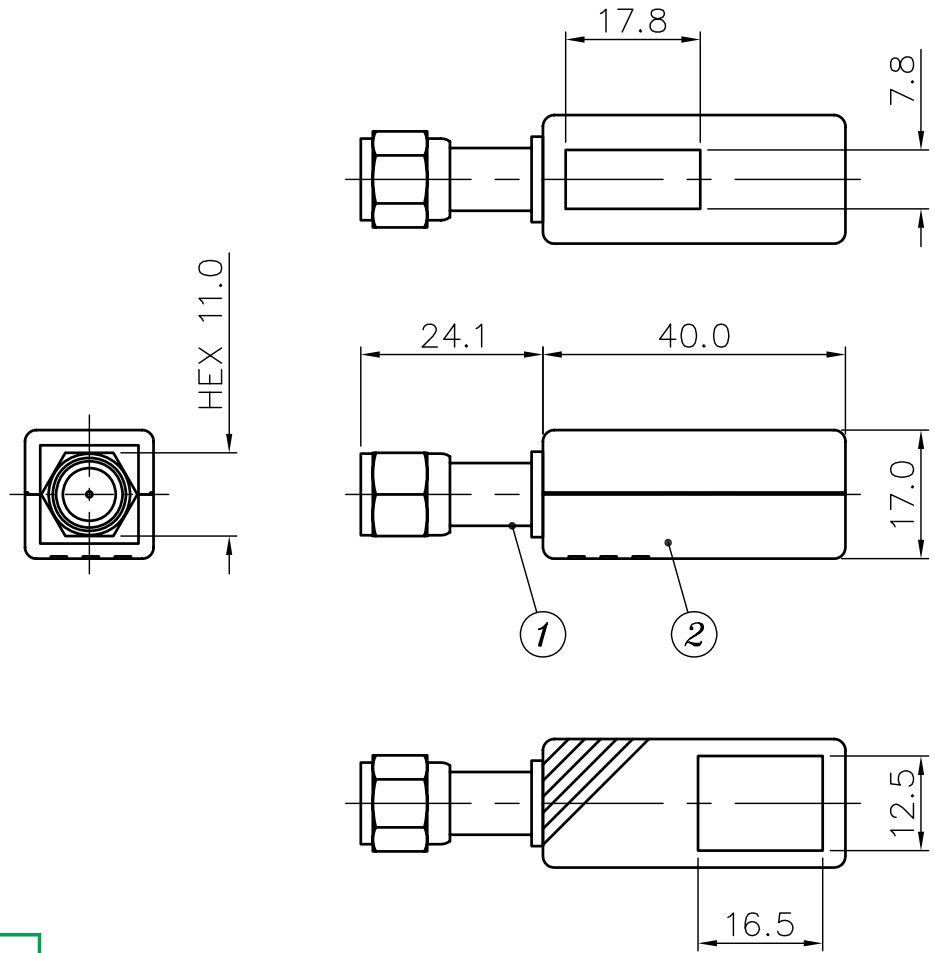


REV.	DESCRIPTION	DATE	APPROVED



TECHNICAL SPECIFICATION:
TRANSMISSION BANDWIDTH DC TO 8MH_z
TRANSMISSION DISTANCE 680M (COLOR : CAT 5)MAX.
780M (MONOCHROME : CAT 5)MAX.
INSERTION LOSS < 2dB
SIGNAL RETURN LOSS ≥ -15dB
COMMON MODE REJECTION ≥ -40dB
MAXIMUM INPUT 1.0V_{p-p} TYP.



NO	DESCRIPTION	MATERIAL	REMARK	Q'TY	UNLESS OTHERWISE SPECIFIED TOLERANCE ARE: FRACTIONS DECIMALS ANGLES .X ±0.1 ±0.5° .XX ±0.05	CONTRACT NO.	Tri-Net Technology, Inc.			
4	PCB SET WITH 1 TRANSFORMER			1			APPROVALS	DATE	CCTV VIDEO BALUN	
3	PCB TYPE RJ45 JACK	PBT(UL94V-0)		1	MATERIAL		DRAWN MAO	95.03.31	F MALE TO RJ45 JACK	
2	PLASTIC SET (TOP,BOTTOM & SIDE COVER)	ABS(UL94V-0)		1	FINISH		CHECKED		SIZE A4	FSCH NO.
1	F MALE SOLDER TYPE	BRASS FINISH NICKEL		1			ISSUED		PART NO. M02-FM-RJ45	REV.
					DO NOT SCALE DWG.	UNIT mm	SCALE 1 : 1	SHEET OF		