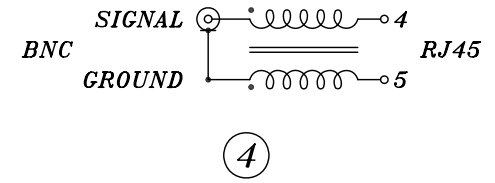
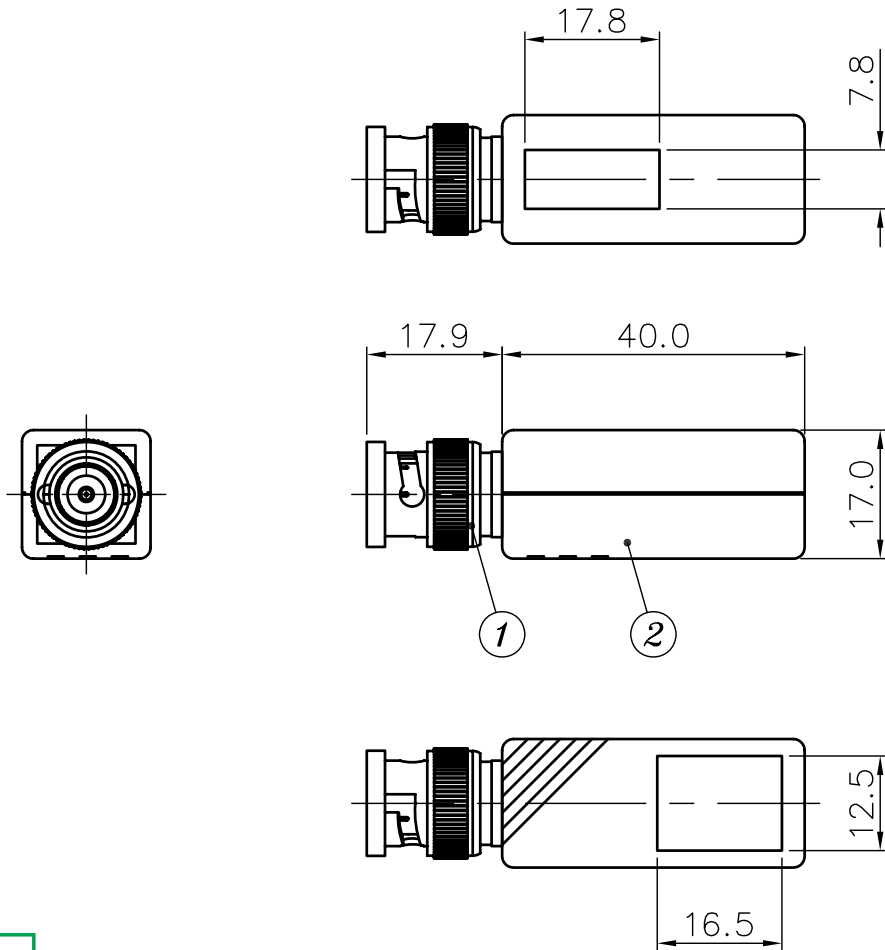


REV.	DESCRIPTION	DATE	APPROVED



**TECHNICAL SPECIFICATION:**

TRANSMISSION BANDWIDTH DC TO 8MH<sub>z</sub>  
TRANSMISSION DISTANCE 680M (COLOR : CAT 5)MAX.  
780M (MONOCHROME : CAT 5)MAX.  
INSERTION LOSS < 2dB  
SIGNAL RETURN LOSS ≥ -15dB  
COMMON MODE REJECTION ≥ -40dB  
MAXIMUM INPUT 1.0V<sub>p-p</sub> TYP.



NO	DESCRIPTION	MATERIAL	REMARK	Q'TY	UNLESS OTHERWISE SPECIFIED TOLERANCE ARE: FRACTIONS DECIMALS ANGLES .X ±0.1 ±0.5° .XX ±0.05	CONTRACT NO.	Tri-Net Technology, Inc.			
4	PCB SET WITH 1 TRANSFORMER			1			APPROVALS	DATE	CCTV VIDEO BALUN	
3	PCB TYPE RJ45 JACK	PBT(UL94V-0)		1	MATERIAL		DRAWN MAO	95.10.27	BNC MALE TO RJ45 JACK	
2	PLASTIC SET (TOP,BOTTOM & SIDE COVER)	ABS(UL94V-0)		1	FINISH		CHECKED		SIZE A4	FSCH NO.
1	F MALE SOLDER TYPE	BRASS FINISH NICKEL		1			ISSUED		PART NO. M02-BM-RJ45	REV.
					DO NOT SCALE DWG.		UNIT mm	SCALE 1 : 1	SHEET	OF