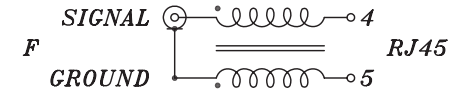
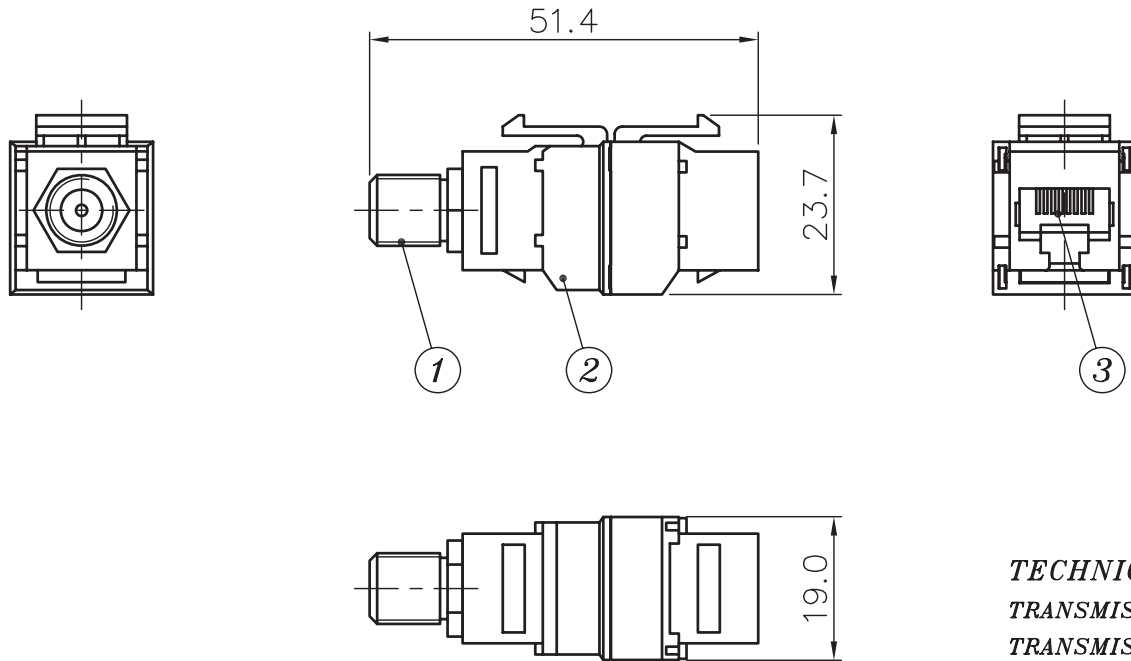


REV.	DESCRIPTION	DATE	APPROVED



④

TECHNICAL SPECIFICATION:

TRANSMISSION BANDWIDTH DC TO 8MHz
TRANSMISSION DISTANCE 680M (COLOR : CAT 5)MAX.
780M (MONOCHROME : CAT 5)MAX.
INSERTION LOSS < 2dB
SIGNAL RETURN LOSS ≥ -15dB
COMMON MODE REJECTION ≥ -40dB
MAXIMUM INPUT 1.0Vp-p TYP.



NO	DESCRIPTION	MATERIAL	REMARK	Q'TY	UNLESS OTHERWISE SPECIFIED TOLERANCE ARE: FRACTIONS DECIMALS ANGLES .X ±0.1 ±0.5° .XX ±0.05	CONTRACT NO.	Tri-Net Technology, Inc.			
4	PCB SET WITH 1 TRANSFORMER			1			APPROVALS	DATE	CCTV VIDEO BALUN	
3	PCB TYPE RJ45 JACK PIN SET	BRASS FINISH GOLD	UL94V-0	1	MATERIAL		DRAWN MAO	95.10.26	KEYSTONE TYPE	
2	PLASTIC SET (TOP,BOTTOM COVER)	PC(UL94V-0)		1	FINISH		CHECKED		F FEMALE TO RJ45 JACK	
1	F FEMALE SOLDER TYPE	BRASS FINISH NICKEL		1			ISSUED		SIZE A4	PART NO. M01-FF-RJ45
					DO NOT SCALE DWG.			UNIT mm	SCALE 1 : 1	SHEET OF