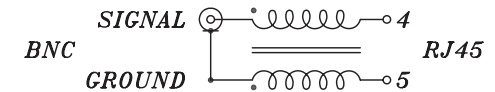
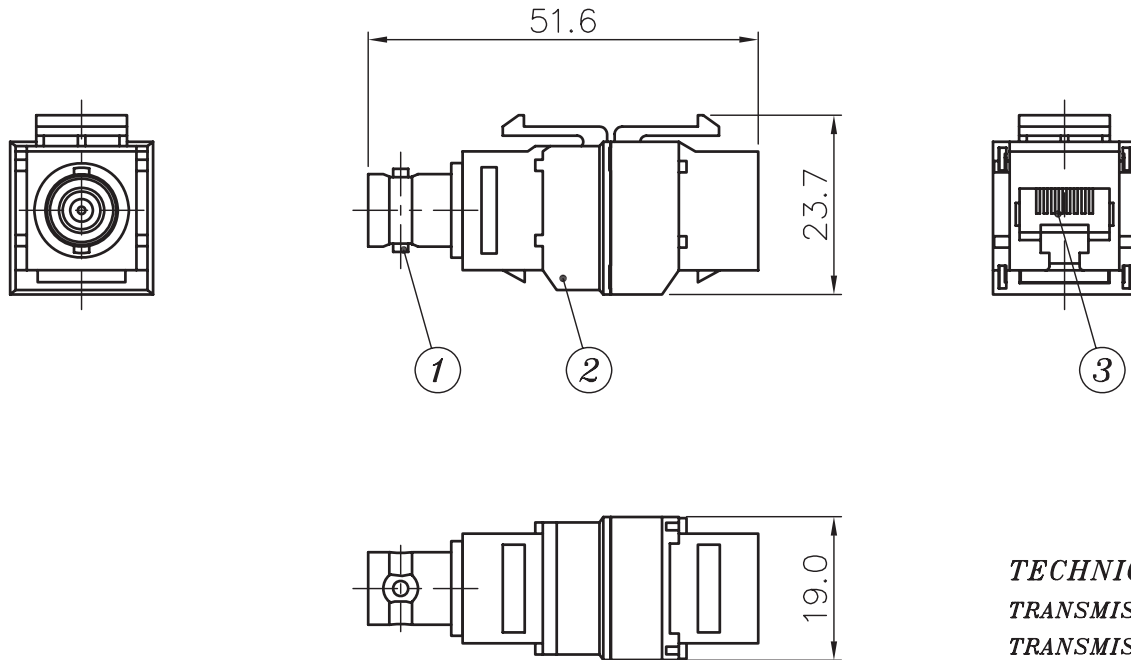


REV.	DESCRIPTION	DATE	APPROVED



④

**TECHNICAL SPECIFICATION:**

TRANSMISSION BANDWIDTH DC TO 8MH<sub>z</sub>  
TRANSMISSION DISTANCE 680M (COLOR : CAT 5)MAX.  
780M (MONOCHROME : CAT 5)MAX.  
INSERTION LOSS < 2dB  
SIGNAL RETURN LOSS ≥ -15dB  
COMMON MODE REJECTION ≥ -40dB  
MAXIMUM INPUT 1.0V<sub>p-p</sub> TYP.



RoHS  
COMPLIANT

					UNLESS OTHERWISE SPECIFIED TOLERANCE ARE: FRACTIONS DECIMALS      ANGLES X ±0.1                              ±0.5° .XX ±0.05		CONTRACT NO.					
4	PCB SET WITH 1 TRANSFORMER			1			APPROVALS	DATE	CCTV VIDEO BALUN			
3	PCB TYPE RJ45 JACK PIN SET	BRASS FINISH GOLD	UL94V-0	1	MATERIAL		DRAWN MAO	95.10.26	KEYSTONE TYPE			
2	PLASTIC SET (TOP,BOTTOM COVER)	PC(UL94V-0)		1			CHECKED		BNC FEMALE TO RJ45 JACK			
1	BNC FEMALE SOLDER TYPE	BRASS FINISH NICKEL		1	FINISH		ISSUED		SIZE A4	FSCH NO.	PART NO. M01-BF-RJ45	REV.
NO	DESCRIPTION	MATERIAL	REMARK	Q'TY	DO NOT SCALE DWG.	UNIT mm	SCALE 1 : 1		SHEET OF			