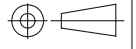


WIRE		LIST	
P1			P2
1	_____		1
2	_____		2
3	_____		3

REMARK:

- 1.CONSTRUCTION: SHAPE AND DIMENSIONS SUBJECT TO ATTACHED CHARTREGULATION.APPEARANCE:EVERY PART SHOULD BE FINISHED NOT TO DILAPIDTION. CRACK AND BAD FLATING.
- 2.P1:3.5mm STEREO PLUG,NICKEL PLATED SHELL AND P2:2.5mm STEREO JACK,NICKEL PLATED SHELL.
- 3.ADAPTER INSERION EXTRSCTION: FORLE 0.5Kg TO 2.0Kg.
- 4.ELECTRONIC CHARACTERISTICS: CONTACT RESISTANCE:20M Ω
INSULATION RESISTANC: 2M ΩWITHSTAND VOLTAGE AC:150V DC:150V
CURRENT RATING AC:100V/0.5A DC:100V/0.5A
5. OPERATING TEMPERATURE-30°C--+60°C AND ELECTRICAL LIFE IS 5000 TIMES INSERTING LEXTRACTING CIT FALL LOAD.
6. OVERMOLD COLOR IS BLACK AND MATERIAL IS PVC PLASTIC.



TOLERANCE			Tri-Net Technology, Inc.	
INCHES	M/M	http://www.trinetusa.com		
.X	.015	.30	SCALE	NONE
.XX	.010	.10	UNIT	MM
.XXX	.005	.05	 REV A	
DRAWN BY		SHEET	1/2	DWG NO. TNT-S101-0267
CHECK BY		DATE	03/22/05	
APPD BY		TITLE	ø3.5mm STEREO PLUG ø2.5mm STEREO JACK	
		PART NO.	127-25SF-35SM	