



**SINGLE UTP SOLUTION**

## SURFACE / RACK MOUNTABLE, CASCADABLE DVI UTP EXTENDED SPLITTER 1x4

### DESCRIPTION:

A point-to-multi point real-time DVI Extender/Splitter from 1 computer to 4 (up to 12 remote monitors and 1 local monitor) up to 200 ft away for active or 100 ft away for passive using ONE Cat5/5e/6 cable.

1x4 SPLITTER

Transmitter

R05-SPL-C5E-104B



Front



Back

Detachable Surface Mount Bracket is included  
1 piece of DVI Male to DVI Male cable 1 ft. is included



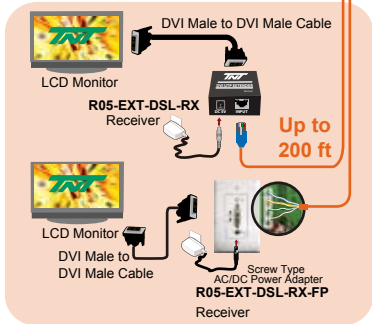
R02-SPL-PANEL

### FEATURES:

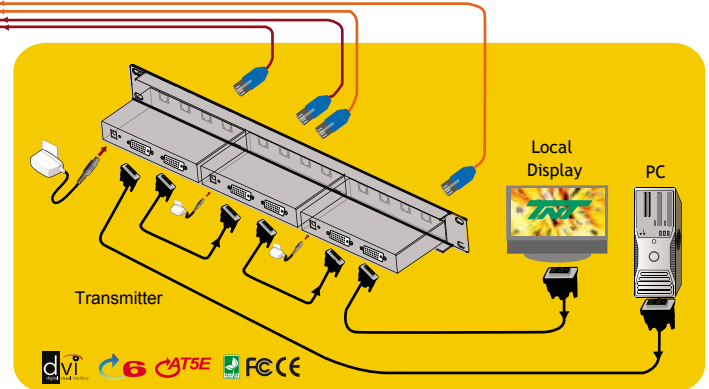
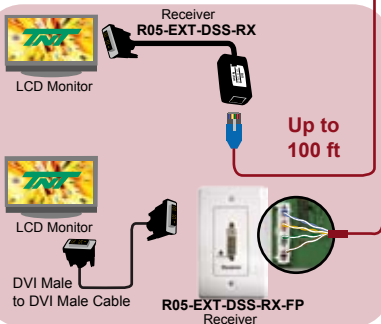
- For Active: extends the transmission distance up to: 200ft @1024x768, XGA or 100ft @1600x1200, UXGA
- For Passive: extends the transmission distance up to: 100ft @1024x768, XGA or 50ft @1600x1200, UXGA
- DVI 1.1 compliant (Bandwidth = 4.95 Gbps)
- Connect computer with DVI up to 12 remote DVI monitors and 1 local monitor in 1U 19" panel
- Connect splitter and monitor by using ONE regular Cat5/5e/6 cable
- 19" 1U panel mountable designed enclosure - easy to manage signal distribution thru UTP structure cabling system.
- Allow to use DVI cable directly cascade to next splitter without lost DVI signal.
- Surface mounting bracket attached - easy to do surface mount and velcro pole mount.
- 1 piece of DVI Male to DVI Male cable 1 ft. is included



#### ACTIVE / LONG DISTANCE



#### PASSIVE / SHORT DISTANCE



### PART NUMBER

### DESCRIPTION

|                   |   |
|-------------------|---|
| R05-SPL-C5E-104B  | DVI UTP Extended 1x4 Splitter - Rack Mountable, Cascadable        |
| R05-EXT-DSL-RX-FP | DVI Extender over 1xCat5/6 - Active Receiver, 110 Type Faceplate  |
| R05-EXT-DSL-RX    | DVI Extender over 1xCat5/6 - Active Receiver, Box Style           |
| R05-EXT-DSS-RX    | DVI Extender over 1xCat5/6 - Passive Receiver, Pigtail            |
| R05-EXT-DSS-RX-FP | DVI Extender over 1xCat5/6 - Passive Receiver, 110 Type Faceplate |
| R02-SPL-PANEL     | 19" 1U Panel Mountable, up to 3 transmitters                      |

21709 Ferrero Parkway  
Walnut, California 91789  
Tel. 909 598 8818 Fax. 909 594 8666  
www.trinetusa.com info@trinetusa.com

