



VGA UTP EXTENDER with 3.5mm AUDIO

DESCRIPTION:

The VGA with Audio UTP Extender allows you to send VGA signal and stereo audio to display over long distances by cat5/5e/6 cable up to 1000ft. Depending on the application, it supports resolution up to 1920 x 1440. Its receiver has built-in equalization, gain control to adjust brightness, and skew control.

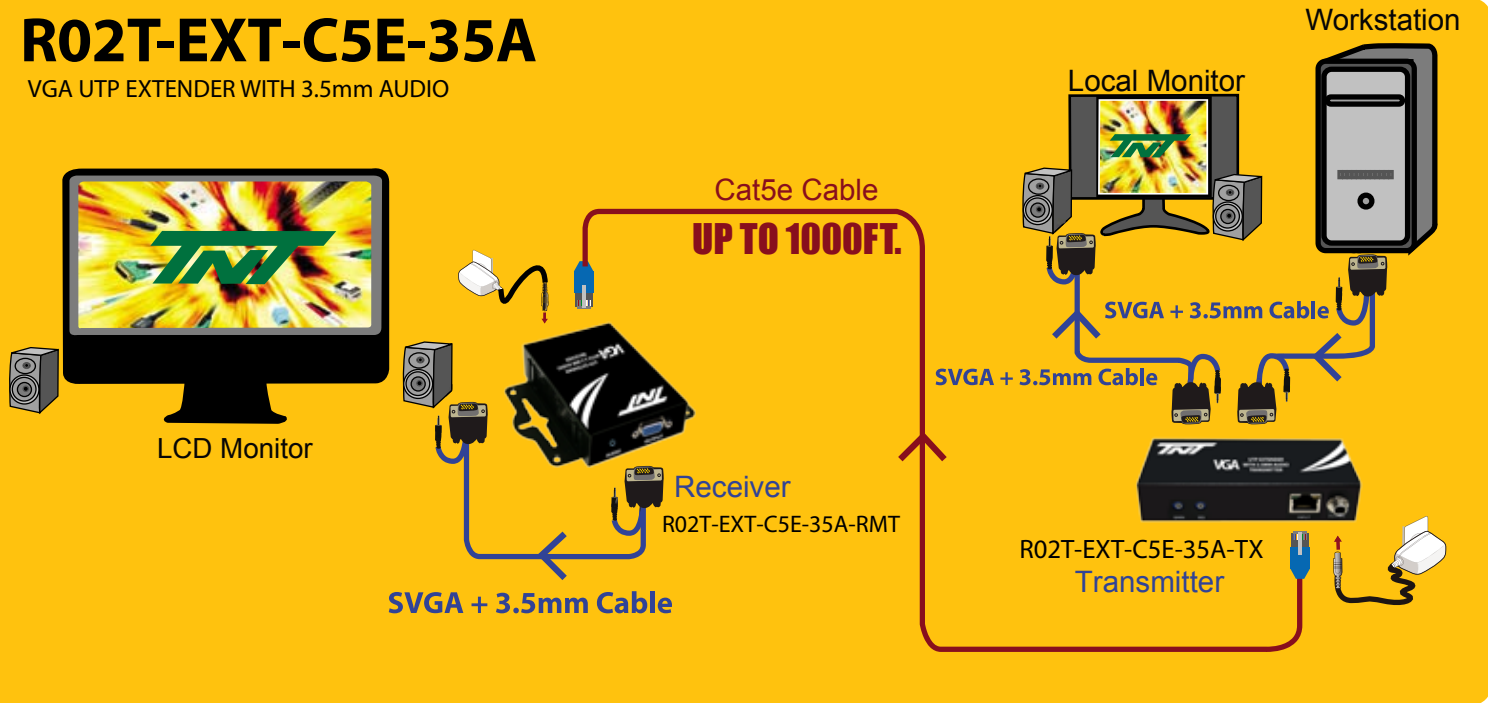
FEATURES:

- Extend VGA signal using CAT5/5e/6 UTP cable
- Support resolution up to 1920 x 1440
- Work with monitors, projectors, HDTV and flat panels
- Transmitter modules has loop-thru port for local monitor
- Rack mount brackets included for both transmitter and receiver
- Power adapter 5V DC included for both transmitter and receiver
- Screwdriver included for transmitter



R02T-EXT-C5E-35A

VGA UTP EXTENDER WITH 3.5mm AUDIO



PART NUMBER

DESCRIPTION

R02T-EXT-C5E-35A	VGA UTP Extender with 3.5mm Audio
R02T-EXT-C5E-35A-RMT	VGA UTP Extender with 3.5mm Audio - Box Style Receiver
R02T-EXT-C5E-35A-TX	VGA UTP Extender with 3.5mm Audio - Box Style Transmitter



Tri-Net Technology, Inc.
Total Network Telesis U.S.A.



21709 Ferrero Parkway
 Walnut, California 91789
 Tel. 909 598 8818 Fax. 909 594 8666
 www.trinetusa.com info@trinetusa.com